

DATE

PROJECT NOTES



Full diffusion, precision light quality, and physical durability for every application. Buy American Act compliant and Made in the USA.

- Fully customizable lengths
- Elegant design
- Engineered for rugged environments
- Lightweight, durable, and flexible
- Perfect for both indoor and outdoor applications
- NSF Component Approved
- Chemical Resistant
- Sauna Resistant
- Deep Cold Resistant
- For applications -40°F-180°F



Diode LED	Voltage	Bend Style	Model	Lumens / Ft.	Diffuser	Length ⁴	Mount	UL Cert
DI	-	-	-	-	-	-	-	-
	24V	TE - Top Bend	ATX100	100	PD	(inches)	RTCL MTCL MTCH 90CL	UL2108

Example: DI-24V-TE-ATX-100-PD-96-RTCL-UL2108

	100 - RGBW (TE)
--	-----------------

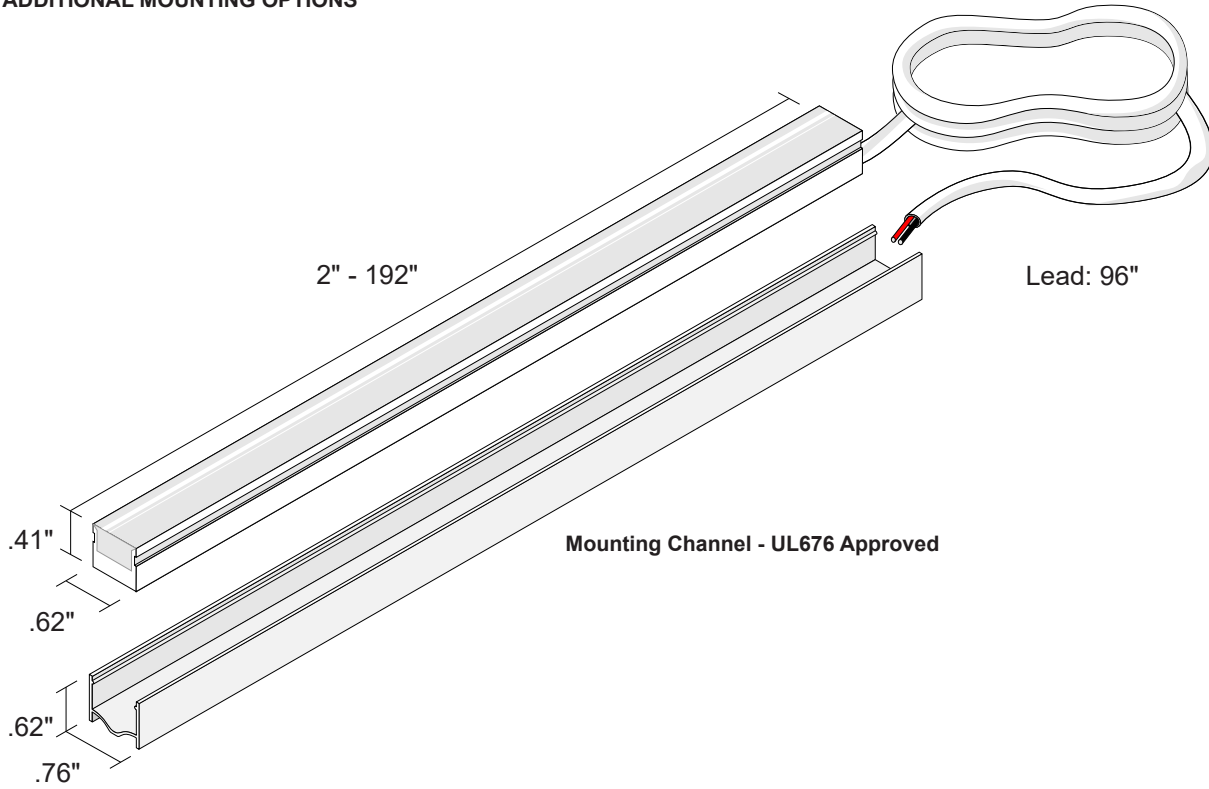
Wattage	6.1 W/ft.
Red	18 Lm/ft.
Green	43 Lm/ft.
Blue	10 Lm/ft.
RGBW ¹	122 Lm/ft.
Max Run ²	16 ft.
Input Voltage	24VDC
Dimmable	Yes
Field Cuttable	No
Diffusion Options	Premium Diffused
Bend Radius	6 in.
Environment ³	Indoor / Outdoor, IP69
Certification	UL 2108
Warranty	5 Years, 2 Years Sauna, 2 Years Deep Cold



ALPHATECH® X RGBW LINEAR LED LIGHTING

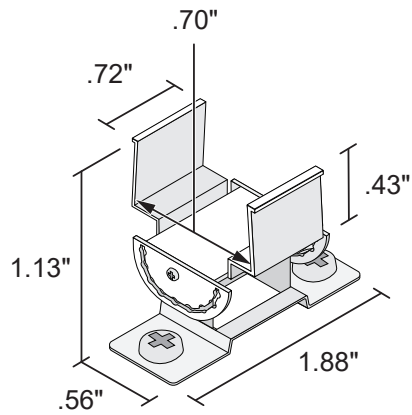
SPECIFICATION SHEET

ADDITIONAL MOUNTING OPTIONS

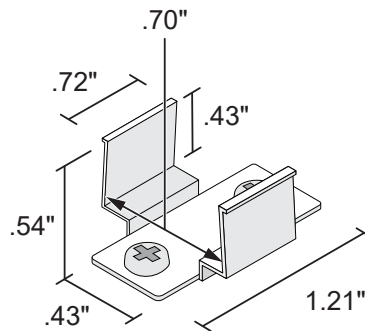


ALPHATECH® X MOUNTING CLIPS

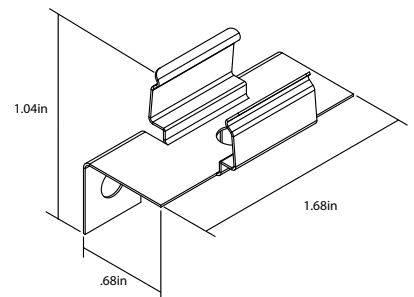
Rotating Clip (RTCL)



Flat Clip (MTCL)



90° Clip (90CL)



ALPHATECH® X RGBW LINEAR LED LIGHTING

SPECIFICATION SHEET

SPECIFICATIONS

- Input: 24VDC Constant Voltage
- Material: High performance, UV Resistant Polyurethane blend
- Mounting: Flat Mounting Clip, Mounting Channel, Rotating Mounting Clip, 90° Clip
- Connections: 20/5 AWG UL2464 Bare wire, 20/5 AWG MIC (non-waterproof)
- Ambient Temp⁸: -4 - 122°F (-20 ~ 50°C)
- Ambient Temp (Sauna): 180°F Max, <30% Humidity
- Ambient Temp (Deep Cold)⁹: -40°F Min, Luminaire is required to be energized when temperature falls below -4°F
- Sustained Compressive Load Limit: 1,000 PSI
- Flammability⁸: Flame retardant
- UV Resistance: Yes but may still degrade over time

COMPLIANCE & REGULATORY APPROVALS

SAFETY

- UL Listed 2108 Low Voltage Lighting System / Low Voltage Luminaire. UL 1598 / CSA 250.0-08, UL 8750. UL 879 / CAN/CSA-C22.2 no. 207-M89. Certified for United States and Canada. File # E469769.
- NSF Sanitation Certified: NSF/ANSI Standard 2 2018 - Food Equipment

PERFORMANCE

- LED chip data measured in accordance to IES LM-80-08.
- Photometric & Colorimetry data measured in accordance to IES LM-79-08, in Elemental LED's Innovation Lab.

FOOTNOTES

1. Lumen value measured in accordance to IES LM-79. LED chips have a luminous flux range with a tolerance of +/- 5%. Testing done with premium diffusion lens.
2. Each maximum run requires a dedicated power feed from the driver. Do not extend beyond the recommended maximum run length.
3. Sauna & Deep Cold applications warrantied for 2 years. Out of warranty condition is a greater than 25% loss of light output from initial installation.
4. Requests for custom lengths of Strip Light will be cut to the nearest (lower) cut point. (Example: DI-24V-TE-AT2-FL-PD-4400-8' 3" would be cut to 98 inches (ie. 8' 2"))
5. Actual efficacy value is dependent on specified LED driver (power supply). An estimated efficacy value can be calculated as follows: Lumen value divided by average power consumption per foot.
6. Do not install product in an environment outside the listed ambient temperature. Exceeding the maximum ambient temperature may damage LED chips, reduce the total lamp life, lumen output, and/or adversely impact color consistency and materials.
7. Operating temperature is measured according to the minimum and maximum ambient temperature environment.
8. This product has been tested and passed glow-wire flammability tests (GWFI index) at 650°C/1200°F, providing an extra level of safety for common areas, hospitality, and areas of high risk fire.

ADDITIONAL INFORMATION

- ALPHATECH® X LED STRIP LIGHT Installation Guide

SAFETY / WARNINGS / DISCLOSURES

1. Install in accordance with national and local electrical code regulations.
2. This product is intended to be installed and serviced by a qualified, licensed electrician.
3. Only install with a Class 2 DC Constant Voltage LED driver.
4. Only use copper wiring. Use wires rated for at least 176°F (80°C) and certified for use with external connection of electrical equipment.
5. Each maximum run requires a dedicated power feed from the driver. Do not extend beyond the recommended maximum run length.
6. Tape light, attached wire leads, and additional extension cables, connectors, etc., are not rated for in-wall installation unless otherwise noted. Tape light and attached wire leads are field-cuttable.
7. Ensure applicable wire is installed between driver, fixture, and any controls in-between. When choosing wire, factor in voltage drop, amperage rating, and type (in-wall rated, wet location rated, etc.). Inadequate wire installation could overheat wires, and cause fire.
8. Do not install in environment where LED chips are exposed to direct sunlight as damage to the phosphor will occur.
9. Do not install in environment where excessive heat may exist (ex. close proximity to fireplace, etc.) See Ambient Temperature ratings
10. Do not install indoor LED tape light products in outdoor / wet location environments. Only wet location tape light models are rated for outdoor / wet locations.
11. Do not modify product beyond instructions or warranty will be void.
12. Tape light must be handled with care. Excessive handling, bending, and pressure may damage the product, voiding the warranty.
13. Actual color may vary from what is pictured on this sheet and other print materials due to the limitations of photographic processes.
14. We reserve the right to modify and improve the design of our fixtures without prior notice. We cannot guarantee to match existing installed fixtures for subsequent orders or replacements in regards to product appearance, CCT, or lumen output.

WARRANTY

Limited Warranty

- 5 Years: General Lighting
- 2 Years: Sauna
- 2 Years: Deep Cold

This warranty does not include the additional accessories referenced in this specification sheet. Complete warranty details for fixtures and additional accessories are available at www.diodeled.com/limited-warranty/ within the Policies section. For warranty related questions please contact product support.

Consumer's Acknowledgment

Elemental LED, Inc. stands behind its products when they are used properly and according to our specifications. By purchasing our products, the purchaser agrees and acknowledges that lighting design, configuration and installation is a complex process, wherein seemingly minor factors or changes in layout and infield adjustments can have a significant impact on an entire system. Choosing the correct components is essential. Elemental LED is able to work with the original purchaser to make an appropriate product selection to the extent of the limited information that the customer can provide, but it is virtually impossible for Elemental LED to design a system that foresees every unknown factor. For this reason, this Warranty does not cover problems caused by improper design, configuration or installation issues. Any statement from a Elemental LED employee or agent regarding a customer's bill of goods and/or purchase order is NOT an acknowledgment that the products purchased are designed and configured correctly. The purchase agrees and acknowledges that it is the customer's responsibility to adhere strictly to all information contained in the Product Specification Sheets.

There is often more than one way to design, configure and layout an LED lighting application properly to achieve the same lighting effect. Elemental LED strongly recommends that licensed professionals be used in the design and installation of lighting systems that include Elemental LED products. The specifications include important information that a designer and installer should carefully review and strictly follow. Qualified designers and certified and/or licensed installers, with access to the final installation environment, customer goals, and Elemental LED product specifications can make the requisite decisions appropriate for a successful finished lighting application.

