

The Lo-Pro™ Junction Box is designed for use with the following Mean Well brand 12V Drivers:

- 12V - 20 Watt Class 2 Non-Dimmable Driver
- 12V - 35 Watt Class 2 Non-Dimmable Driver
- 12V - 60 Watt Class 2 Non-Dimmable Driver

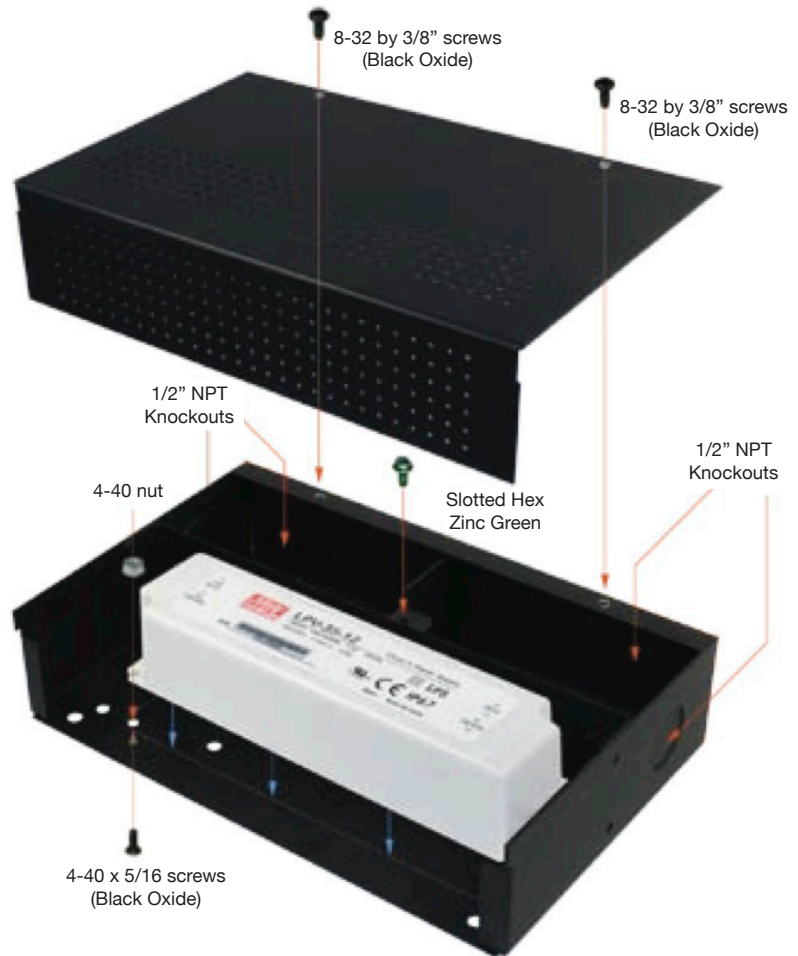
Product Includes:

- 1 x Lo-Pro Junction Box with cover
- 1 x Slotted hex screw, 8-32 x 3/8" zinc green for ground.
- 1 x 4-40 nut and 4-40 screw to secure driver within the enclosure
- 2 x 8-32 by 3/8" screws to lock box cover in place

0.20" mounting holes within the enclosure are for use with #10 hardware (not included).

Mounting & Installation Guidelines

- Mount the enclosure in a suitable location that assures free airflow to and around the enclosure. Assure that the power supply and enclosure ventilation holes are not obstructed.
- This enclosure must be installed in accordance with the National Electrical Code, ANSI/NFPA 70, where the ambient temperature does not exceed 40°C (104°F).
- State and local building codes may vary. See electrical codes in your region for accurate installation and usage guidelines.
- Standard 1/2" NPT Knockouts are provided for wire entry and exit. Knockouts may require romex connectors or bushings in accordance with safety codes. Check local electrical guidelines for details.

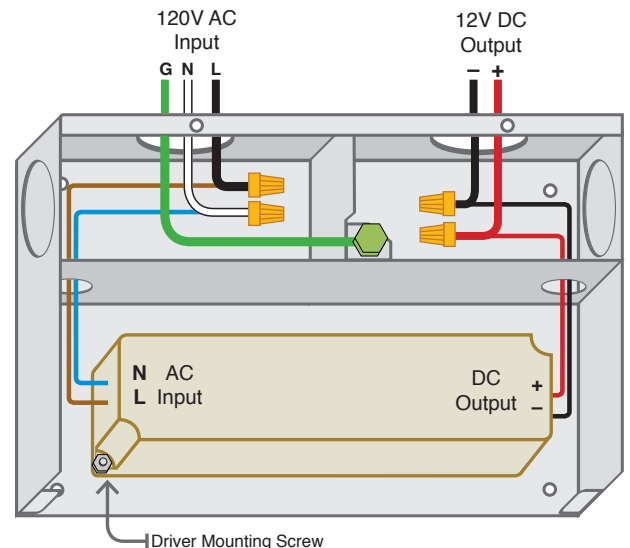


*Power Supply Sold Separately



Features & Specifications

- Certifications:** ETL Listed (Conforms to UL STD 508A)
- Enclosure:** NEMA 1 steel
- Environment:** Indoor only
- Ambient Temp.:** Not to exceed 40°C (104°F)
- Mounting:** Integral mounting holes with (4x) .20" mounting holes for surface mounting
- Knockouts:** (4x) 1/2" NPT Knockouts
- Dimensions:** 7.7"W x 1.8"H x 4.9"D
- Weight:** .80 lbs
- Voltage:** ≤ 600V
- Warranty:** 2 years (limited)



N = Blue / L = Brown / G= Ground (+) = Red / (-) = Black

IG080714-1.1