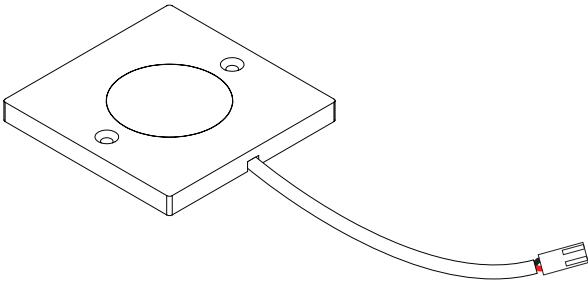




SPOTMOD® TILE



SPECIFICATION SHEET



OVERVIEW

SPOTMOD TILE features exceptional color rendering with 90+ CRI values and architectural grade styling with a slim, ultra-sleek profile. The single LED “Chip-on-Board” design provides a single light source shadow that is ideal for modern and sophisticated applications. This lightweight fixture delivers 220 lumens of light making it ideal for under cabinet and display lighting applications.

This ultra-bright and low-profile fixture can be easily surface mounted onto most surfaces with only two enclosed screws.

FEATURES & BENEFITS

- 90+ CRI: Superior color rendering (5000K Model is 80+ CRI)
- High lumen output
- Low-profile
- Modern and resilient aluminum designs
- Easy to install
- 3-Year Warranty

COLORS & FINISHES



White



Brushed Aluminum



Satin Black



Dark Bronze

Item #	
Project	

SPECIFICATIONS

- Input: 12VDC Constant Voltage
- Power Consumption: 4W
- LED Chip Type: Bridgelux
- Lumen Output¹: 220
- CRI: 80+ (5000K), 90+ (2700K, 3000K, 4000K)
- Efficacy²: 75
- Dimmable: Yes
- Ambient Temperature³: -4 ~ 122°F (-20 ~ 50°C)
- Operating Temperature⁴: -4 ~ 176°F (-20 ~ 80°C)
- Environment: Damp / Indoor only

COMPLIANCE & REGULATORY APPROVALS

- UL Listed 2108. UL 1598 / CSA 250.0-08, UL 8750. UL 879 / CAN/CSA-C22.2 no. 207-M89. E469769 (UL Listed), E469770 (SAMS Manual).

CCT & FINISH OPTIONS

CCT	ITEM #
2700K	DI-12V-SPOT-TL27-**
3000K	DI-12V-SPOT-TL30-**
4000K	DI-12V-SPOT-TL40-**
5000K	DI-12V-SPOT-TL50-**

** - Select finish option
WH (white)
BL (satin black)
AL (brushed aluminum)
BR (bronze)

INCLUDED ACCESSORIES

A. (2) Screws

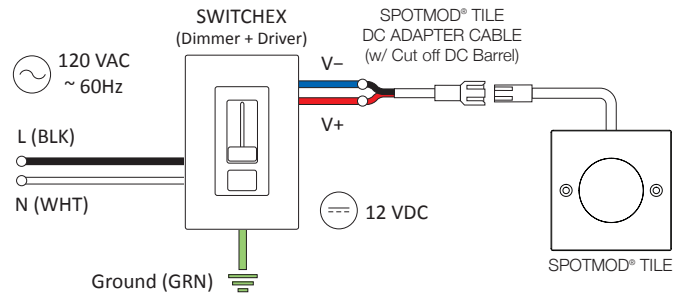


ADDITIONAL ACCESSORIES

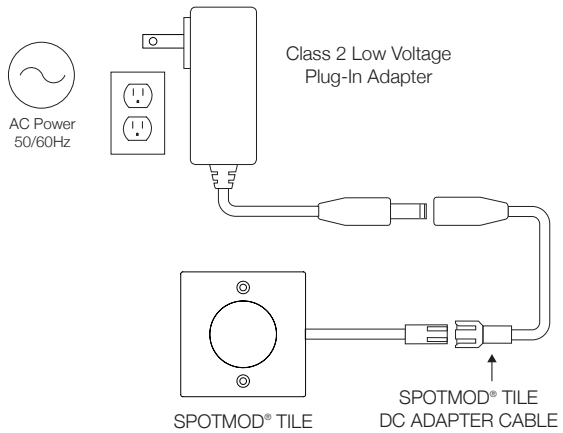
ITEM #	DESCRIPTION	
DI-SPOT-TL-ADP	SPOTMOD TILE 1ft. 2-pin (female) to DC (female) Adapter Cable Dimensions: 12 x 0.45 in. (L x Dia) Color: White	
DI-SPOT-TLSP6	SPOTMOD TILE Power Distribution Splitter Box, 6-way Dimensions: 3 x 1 x 0.5 in. (L x W x H) Color: White	
DI-SPOT-5EXT	SPOTMOD TILE and LINK 5 ft 2-pin male to female Extension Cable Dimensions: 60 x .25 x .25 in. (L x W x H) Color: White	

SYSTEM DIAGRAMS*

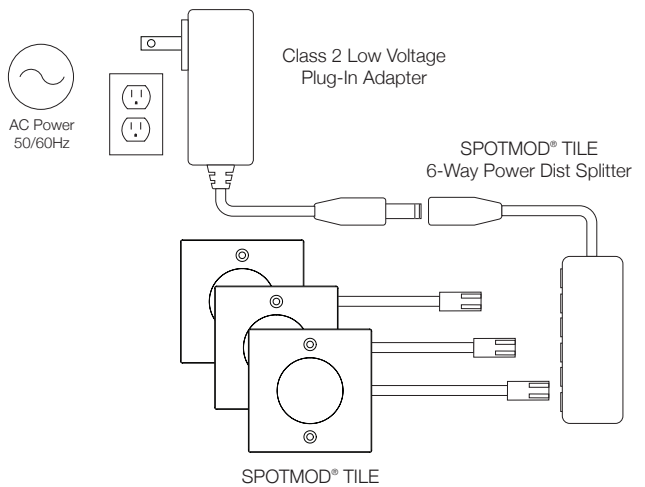
SWITCHEX® DIAGRAM



PLUG-IN ADAPTER DIAGRAM



PLUG-IN ADAPTER DIAGRAM w/ SPLITTER SYSTEM

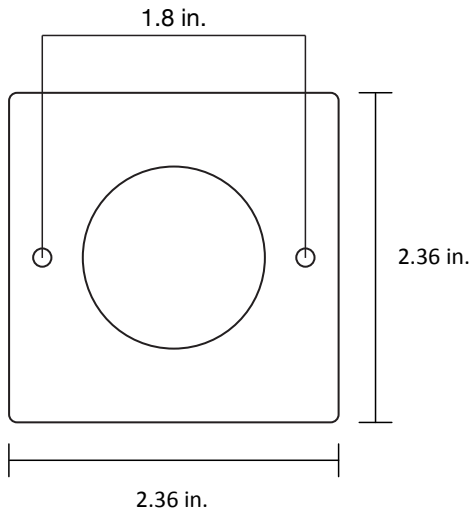


* Diagrams are provided as general guidelines for installation. All installations will vary slightly. OMNIDRIVE®, REIGN® Dimmer, TOUCHDIAL™, and more installation diagrams are available at driver & controller installation guides.

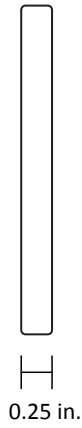
1. Lumen output is measured in accordance to IES LM-79-08. LED chips have a luminous flux range with a tolerance of +/- 5%.
2. Actual efficacy value is dependent to specified LED driver (power supply). An estimated efficacy value has been provided and calculated as follows: Lumen value (measured in accordance to IES LM-79-08) divided by average power consumption per fixture.
3. Do not install product in an environment outside the listed ambient temperature. Exceeding the maximum ambient temperature may damage LED chips, reduce the total lamp life, lumen output, and/or adversely impact color consistency.
4. Operating temperature is measured according to the minimum and maximum ambient temperature environment.

MECHANICAL DIAGRAMS

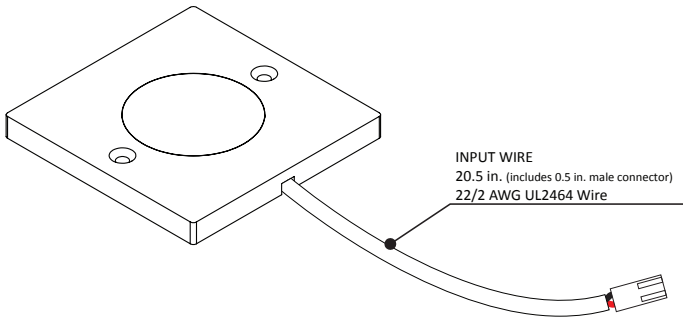
TOP VIEW



SIDE VIEW



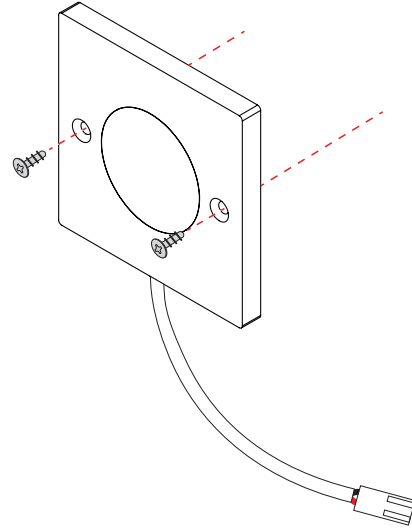
WIRED VIEW



MOUNTING

SURFACE MOUNTING

Mount SPOTMOD TILE to surface with 2x screws (included) and Phillips head screwdriver (not included).



ADDITIONAL RESOURCES

- SPOTMOD TILE INSTALLATION GUIDE

SAFETY / WARNINGS / DISCLOSURES

1. Install in accordance with the NEC and local regulations.
2. This product is intended to be installed and serviced by a qualified, licensed electrician.
3. DO NOT Connect to 120VAC Power.
4. This product MUST be powered with a compatible Class 2 12VDC LED driver and has not been evaluated for use when connected to a power source that does not comply with Class 2 voltage and energy limited supplies.
5. CAUTION: To reduce the risk of fire, do not install in a compartment smaller than 2.5 in. x 2.5 in. x 0.27 in.
6. Suitable for Damp Locations. Do not install in wet locations or outdoors.
7. Attached wire leads, connectors and accessories are not rated for in-wall installation.
8. Attached wire leads are field-cuttable.

WARRANTY

Limited Warranty

This product has a three (3) year limited warranty from the date of shipment. This warranty does not include the additional accessories referenced in this specification sheet. Complete warranty details for fixtures and additional accessories are available at www.DiodeLED.com under the 'Tools & Resources' tab. For warranty related questions please contact product support.

Consumer's Acknowledgment

Diode LED stands behind its products when they are used properly and according to our specifications. By purchasing our products, the purchaser agrees and acknowledges that lighting design, configuration and installation is a complex process, wherein seemingly minor factors or changes in layout and infield adjustments can have a significant impact on an entire system. Choosing the correct components is essential. Diode LED is able to work with the original purchaser to make an appropriate product selection to the extent of the limited information that the customer can provide, but it is virtually impossible for Diode LED to design a system that foresees every unknown factor. For this reason, this Warranty does not cover problems caused by improper design, configuration or installation issues. Any statement from a Diode LED employee or agent regarding a customer's bill of goods and/or purchase order is NOT an acknowledgment that the products purchased are designed and configured correctly. The purchase agrees and acknowledges that it is the customer's responsibility to adhere strictly to all information contained in the Product Specification Sheets.

There is often more than one way to design, configure and layout an LED lighting application properly to achieve the same lighting effect. Diode LED strongly recommends that licensed professionals be used in the design and installation of lighting systems that include Diode LED products. The specifications include important information that a designer and installer should carefully review and strictly follow. Qualified designers and certified and/or licensed installers, with access to the final installation environment, customer goals, and Diode LED product specifications can make the requisite decisions appropriate for a successful finished lighting application.

