

# EQUIFLUX™ 1545 LED DISPLAY GRAPHICS LIGHT

# SPECIFICATION SHEET



(12 inch model shown)

## SPECIFICATIONS

<b>Input Voltage</b>	24VDC Constant Voltage
<b>LED Chip Type</b>	Osram-Sylvania
<b>Lens Beam Angle</b>	15° x 45°
<b>Mounting</b>	2 mounting holes (5mm diameter) Mounting screws and brackets included.
<b>Connections</b>	Male Molex one end. Female Molex opposing end. Lead wire: 18AWG, 2.5 in. length
<b>Dimmability</b>	No

<b>Rated Lamp Life</b>	50,000 hrs.
<b>Ambient Temperature</b>	-4° ~ 158°F (-20° ~ 70°C)
<b>Operating Temperature <sup>1</sup></b>	-4° ~ 158°F (-20° ~ 70°C)
<b>Environment</b>	Indoor / dry location
<b>Dimensions</b>	11.4 x 1.2 x 0.4 in. (L x W x H) 22.9 x 1.2 x 0.4 in. (L x W x H)
<b>Warranty</b>	3 years

Item #	Length	Max Run <sup>2</sup>	Power Consumption	Color	Kelvin	Lumens	Efficacy (lm/W)	CRI	# of LED Chips Per Bar
EL-24V-EQUI-6500-12-1545	12 in.	10 fixtures	9W / 375mA	Cool White	6500k	720 lm	80	80	3
EL-24V-EQUI-6500-24-1545	24 in.	5 fixtures	18W / 750mA	Cool White	6500k	1140 lm	80	80	6

**Note <sup>1</sup>** Ensure adequate airflow and heatsinking is considered when mounting/installing. Exceeding the maximum operating temperature may damage LED chips by reducing the total lamp life, lumen output, and/or adversely impact color consistency.

**Note <sup>2</sup>** Each maximum run requires a dedicated power feed from the driver. DO NOT extend beyond the recommended maximum run length. If combining fixtures of different lengths, ensure not to exceed 90W in series.

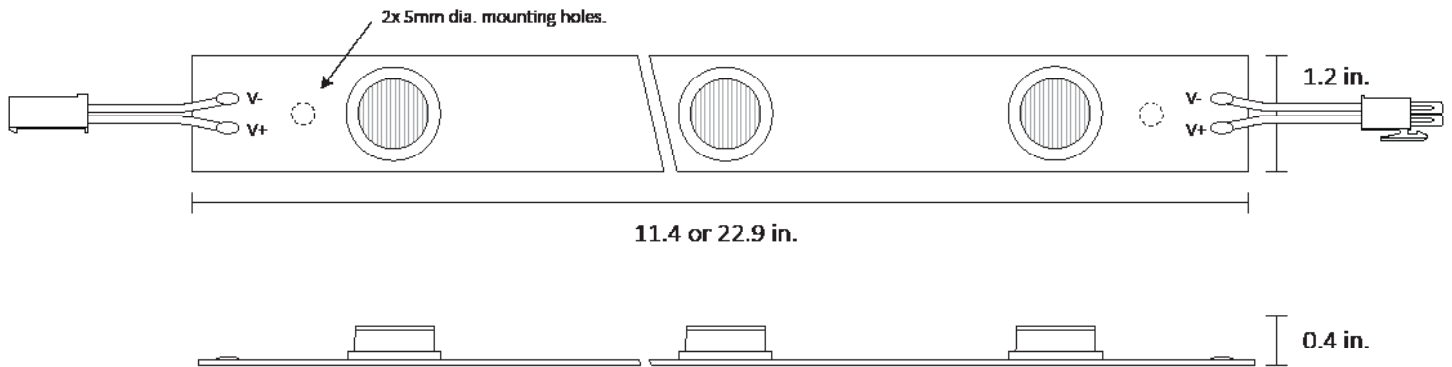
## SUBMITTAL FORM

JOB / PROJECT NAME _____	DATE _____
JOB TYPE _____	JOB LOCATION _____
SPECIFIER NAME _____	CATALOG NUMBER _____
CONTACT PHONE _____	OTHER _____
CONTACT E-MAIL _____	

**EQUIFLUX™ 1545 LED DISPLAY GRAPHICS LIGHT**

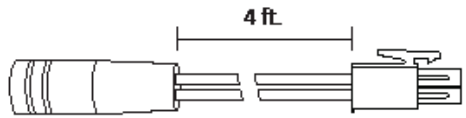
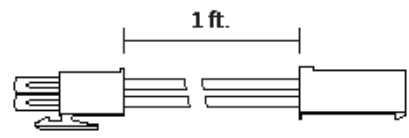
**SPECIFICATION SHEET**

**MECHANICAL DIAGRAM**



See the 'Installation Guide' for system diagrams and installation instructions.

**ACCESSORIES**

Item #	Item Name	Description	
EL-EQUI-DC-CON-48	EQUIFLUX 4' Molex to DC Connector Cable	4 ft. DC to Male Molex adapter attaches fixture directly to plug-in adapter.	
EL-EQUI-BX-12	EQUIFLUX 1' Molex to Molex Extension Cable	1 ft. Male Molex to Female Molex extension cable.	

Note: accessories sold separately.

**SAFETY & WARNINGS**

- Install in accordance with the National Electric Code and local regulations.
- This product is intended to be installed and serviced by a qualified, licensed electrician.
- Do not connect directly to high voltage 120VAC power.
- Power with a compatible Class 2 DC constant voltage LED driver (power supply).
- Ensure adequate airflow and heatsinking is considered when mounting/installing. Exceeding the maximum operating temperature may damage LED chips by reducing the total lamp life, lumen output, and/or adversely impact color consistency.
- Each maximum run requires a dedicated power feed from the driver. DO NOT extend beyond the recommended maximum run length.
- We reserve the right to modify and improve the design of our fixtures without prior notice. We cannot guarantee to match existing installed fixtures for subsequent orders or replacements in regards to product appearance, kelvin, or lumen output.

Rev. 1.1, 12/19/2013