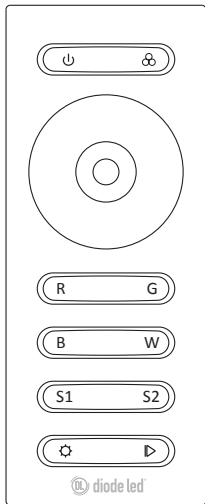
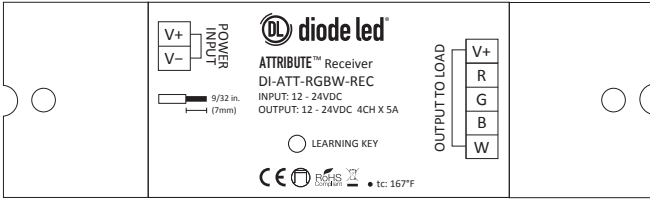




ATTRIBUTE™ COLOR CONTROLLER

SPECIFICATION SHEET



OVERVIEW

The ATTRIBUTE Color Controller for RGB and RGB(W) LED lighting is affordable, flexible, and easy to install. This single zone control system makes adding color to any environment effortless.

Use the color wheel on the Radio Frequency (RF) remote control to pick the perfect color or choose 1 of the 10 dynamic color modes available through the remote. No need of a computer and no complex programming.

ATTRIBUTE takes the complexity out of color control and is exclusive to Diode LED.

FEATURES & BENEFITS

- For small-scale LED lighting installations
- Affordable and cost effective
- Easy to install
- 10 Dynamic color modes
- PWM Output
- 1-Year warranty

APPROVED LED LUMINAIRES

ATTRIBUTE Color Controller is compatible with the following Diode LED solid color 12V and 24V tape light and fixtures:

DAZZLE 24® RGB

DAZZLE 24® RGBW

TRUE FOCUS™ RGB

***Note: ATTRIBUTE Receiver may only be synced/controlled with a single remote.**

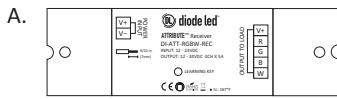
Item #	
Project	

SPECIFICATIONS

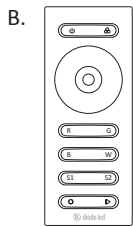
ATTRIBUTE Receiver & Remote Controller

ITEM # - DI-ATT-RGBW-REM

- A. ATTRIBUTE Receiver
- B. ATTRIBUTE Remote Controller



- Input from Driver: 12-24VDC Constant Voltage
- Output to Load: 12-24VDC Constant Voltage
- Output Type: PWM (Pulse Width Modulation)
- Max Load: 4CH x 5A, 4CH x 60W (12V), 4CH x 100W (24V)
- Power Failure Memory: Yes



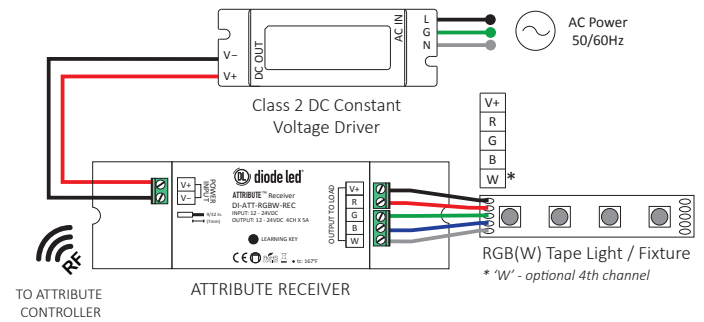
- Input: 3x AAA 1.5V Batteries (Not Included)
- Operating Frequency: 434MHz / 868 MHz
- Signal: Radio Frequency
- Range: 95 ft.

Environmental Requirements

- Indoor use only.
- Ambient Operating Temperature: 32°F to 104°F (0°C to 40°C)
- Humidity: 8 ~ 90% relative humidity, non-condensing.

SYSTEM DIAGRAM

ATTRIBUTE SYSTEM DIAGRAM

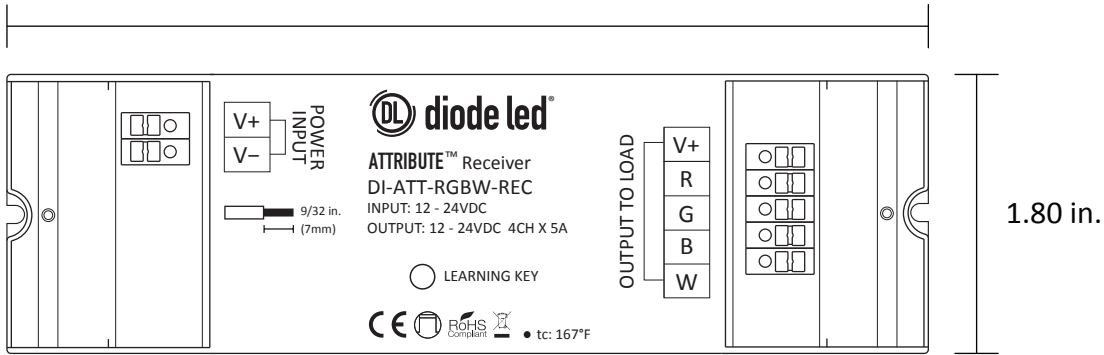


MECHANICAL DIAGRAMS

ATTRIBUTE RECEIVER

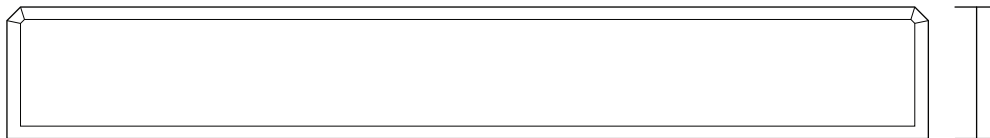
TOP VIEW

5.66 in.



SIDE VIEW

0.63 in.



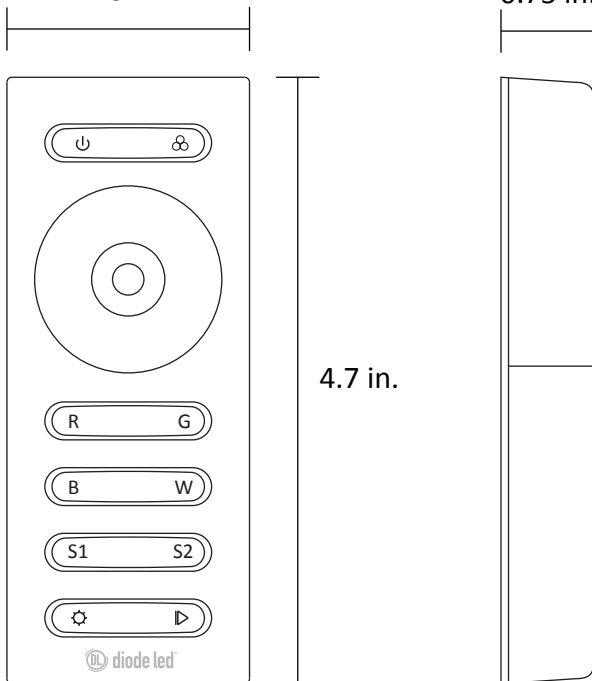
ATTRIBUTE REMOTE CONTROLLER

TOP VIEW

1.9 in.

SIDE VIEW

0.75 in.



ATTRIBUTE OPERATION

ATTRIBUTE REMOTE CONTROLLER

Power

Press to turn Power ON/OFF.

Color Wheel

Adjust RGB color mixing.

Red Channel

Short press to turn Red ON/OFF.
Long press to adjust brightness.

Blue Channel

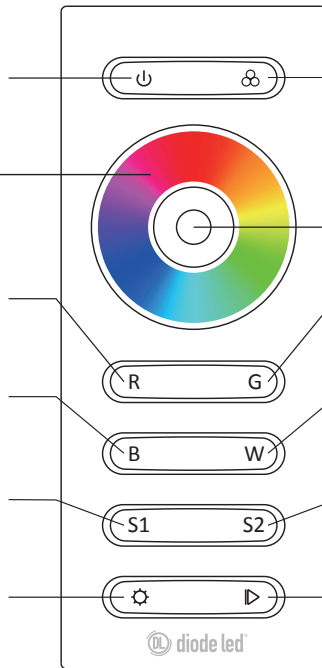
Short press to turn Blue ON/OFF.
Long press to adjust brightness.

Save Color/Scene 1

Long press to save static color.
Short press to retrieve saved color.

RGB Brightness

Press and hold to adjust RGB brightness.



RGB 'White' Presets

Short press for 3 types of 'White' RGB presets: warm white, neutral white, cool white. Useful for applications that don't utilize CH4 for RGBW applications.

Power Indicator

Indicator will turn red when power is ON. Indicator will flash red when data is transmitting.

Green Channel

Short press to turn Green ON/OFF.
Long press to adjust brightness.

White Channel

Short press to turn White (CH4) ON/OFF.
Long press to adjust brightness.

Save Color/Scene 2

Long press to save static color.
Short press to retrieve saved color.

Dynamic Modes

Short press changes mode/pauses mode. Long press adjusts speed of dynamic mode. See 'Dynamic Mode Chart' for mode descriptions.

DYNAMIC MODE CHART

Mode	Description
1	Fade 1 - B M R O Y G C
2	Fade 2 - B G O W C M B
3	Fade 3 - R W C G C W B W
4	Skip 1 - R Y W C G W B M W Y
5	RGB Fade In/Out
6	RGB Fade In
7	RGB Fade Out
8	RGB Skip
9	Fade 4 - B M O G C
10	Fade 5 - W Y W M C W G W M C
11	All Channels Off

SAFETY / WARNINGS / DISCLOSURES

1. Install in accordance with national and local electrical code regulations.
2. This product is intended to be installed and serviced by a qualified, licensed electrician.
3. DO NOT connect directly to high voltage power. Install with a compatible Class 2 constant voltage LED driver (power supply).
4. Only install compatible 12V and 24VDC constant voltage luminaires.
5. This product is rated for indoor installation and is not protected against moisture.
6. Do not modify product beyond instructions or warranty will be void.

ADDITIONAL RESOURCES

ATTRIBUTE Installation Guide

WARRANTY

Limited Warranty

This product has a 1 year limited warranty from the date of shipment. This warranty does not include the additional accessories referenced in this specification sheet. Complete warranty details for fixtures and additional accessories are available at www.DiodeLED.com under the 'Tools & Resources' tab. For warranty related questions please contact product support.

Consumer's Acknowledgment

Diode LED stands behind its products when they are used properly and according to our specifications. By purchasing our products, the purchaser agrees and acknowledges that lighting design, configuration and installation is a complex process, wherein seemingly minor factors or changes in layout and infield adjustments can have a significant impact on an entire system. Choosing the correct components is essential. Diode LED is able to work with the original purchaser to make an appropriate product selection to the extent of the limited information that the customer can provide, but it is virtually impossible for Diode LED to design a system that foresees every unknown factor. For this reason, this Warranty does not cover problems caused by improper design, configuration or installation issues. Any statement from a Diode LED employee or agent regarding a customer's bill of goods and/or purchase order is NOT an acknowledgment that the products purchased are designed and configured correctly. The purchase agrees and acknowledges that it is the customer's responsibility to adhere strictly to all information contained in the Product Specification Sheets.

There is often more than one way to design, configure and layout an LED lighting application properly to achieve the same lighting effect. Diode LED strongly recommends that licensed professionals be used in the design and installation of lighting systems that include Diode LED products. The specifications include important information that a designer and installer should carefully review and strictly follow. Qualified designers and certified and/or licensed installers, with access to the final installation environment, customer goals, and Diode LED product specifications can make the requisite decisions appropriate for a successful finished lighting application.



© 2015 Elemental LED Inc. All rights reserved.
Specifications are subject to change without notice.
Toll Free: 877.817.6028 | Fax: 415.592.1596 | www.DiodeLED.com | info@DiodeLED.com