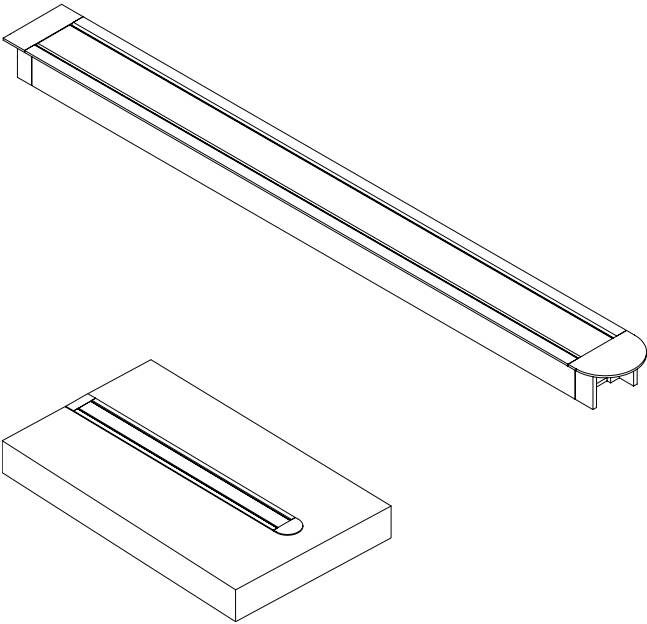




CHROMAPATH[®] SLIM RECESSED ALUMINUM CHANNEL

SPECIFICATION SHEET



OVERVIEW

CHROMAPATH SLIM Recessed Aluminum Channels protect and provide light diffusion for indoor LED tape lights in a recessed form factor with minimal visibility. Just like traditional CHROMAPATH Channel offering, it provides a rigid, dustproof housing; now it performs with the ability to recess your custom lighting into a half inch routed opening. Choose one of the selections for a complete channel bundle ready to combine with your choice of compatible LED tape light.

FEATURES & BENEFITS

- Custom light output with minimal fixture visibility
- Frosted cover lens included to protect and diffuse lighting
- End Caps included for ease of specification
- Made of sturdy, lightweight matte finish anodized aluminum
- Available in custom lengths and as fully loaded LED fixtures through our custom programs
- 2-Year Warranty

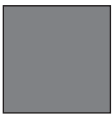
APPROVED LED FIXTURES

CHROMAPATH Slim Recessed is compatible but not limited to the following **indoor rated** Diode LED tape lights*:

- | | | |
|----------------------------|--------------------------|------------------------|
| AVENUE 24 [™] | FLUID VIEW [®] | VALENT [®] |
| BLAZE [™] | K-RANGE 24 [®] | VALENT [®] HD |
| DAZZLE 24 [®] RGB | ULTRA BLAZE [™] | |

* Compatibility is based on physical width of tape light and orientation of LED chip. *Not compatible with CLICKTIGHT[®] connectors. Not compatible with DAZZLE 24 RGBW or DAZZLE DMX.*

COLORS & FINISHES



Brushed Aluminum

Item #	
Project	

SPECIFICATIONS

Compliance & Regulatory Approvals

- Meets the following certifications when installed with compatible UL Listed tape light:

UL Listed 2108. UL 1598 / CSA 250.0-08, UL 8750. UL 879 / CAN/ CSA-C22.2 no. 207-M89. E469769 (UL Listed), E469770 (SAMS Manual). Suitable for installation in a clothes closet.

Component Materials

- Channel: Aluminum with matte anodized finish.
- Cover: Polycarbonate
- End Caps: PVC

Environmental Requirements

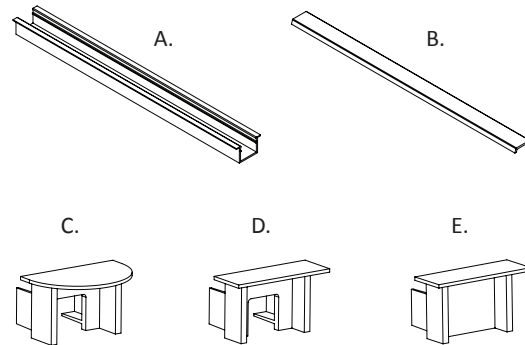
- Suitable for indoor / dry location installation only.

CHROMAPATH SLIM RECESSED BUNDLES

Kit Item # †	Channel Length
DI-CPCHA-SLR48	48 in.
DI-CPCHA-SLR96	96 in.

† Each Item # includes following products:

- CHROMAPATH Slim Recessed Channel
- CHROMAPATH Slim Recessed Frosted Cover
- Round Open End Cap
- Square Open End Cap
- Square Closed End Cap



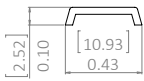
CHROMAPATH RECESSED ADDITIONAL END CAPS

Item #	Type	Qty
DI-CPEC-SLR-3	SLIM RECESSED End Caps	9 (3 open, 3 closed, 3 round)

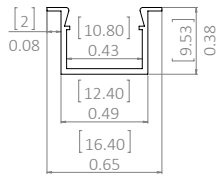
MECHANICAL DIAGRAMS

Dimensions are in [millimeters] and inches.

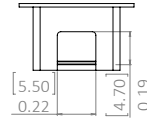
Cover



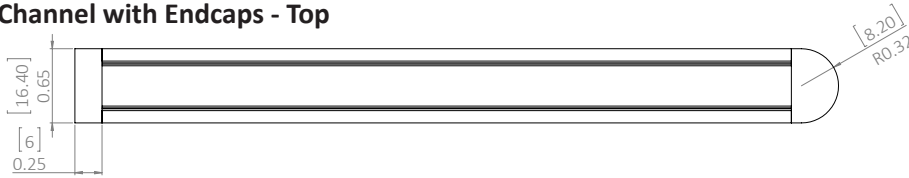
CHROMAPATH



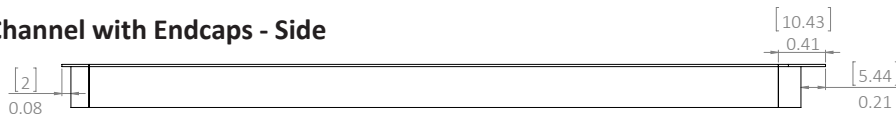
End Cap



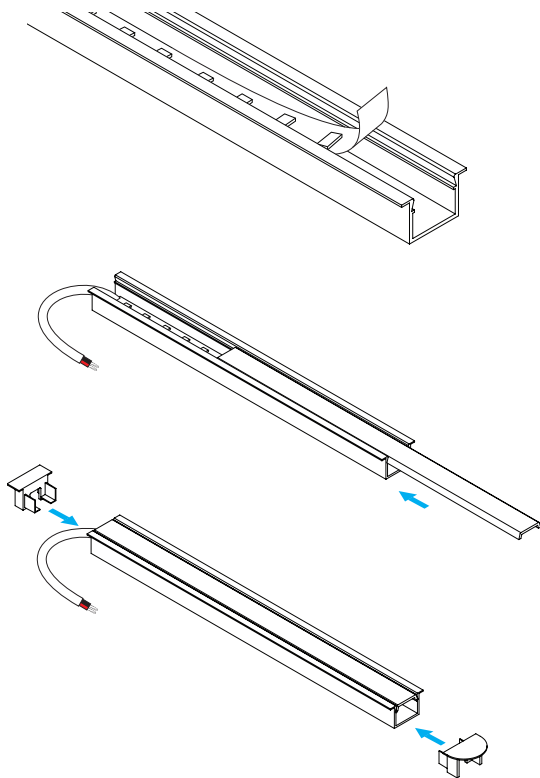
Channel with Endcaps - Top



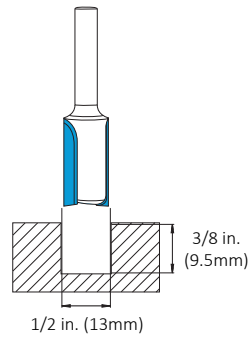
Channel with Endcaps - Side



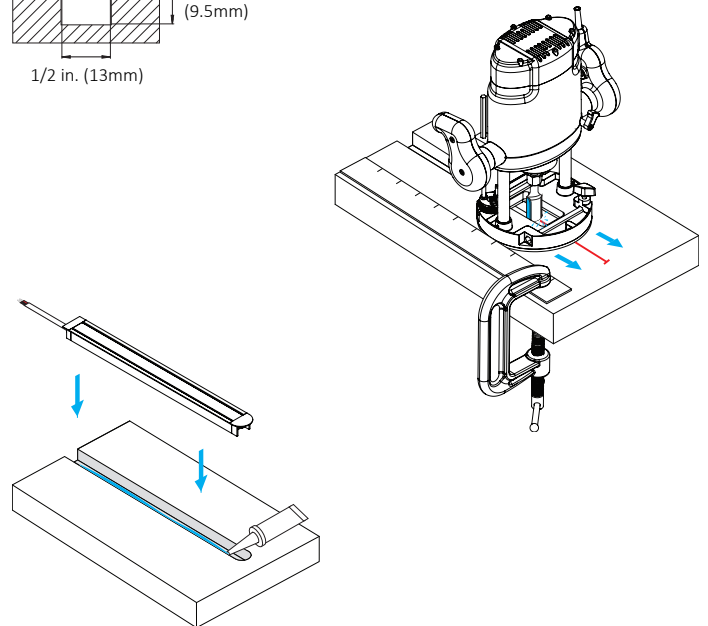
ASSEMBLY



MOUNTING



Channel is to be mounted using electric router and a straight 1/2" dia. router bit. Drill track depth 3/8".



For more thorough instructions see 'CHROMAPATH Slim Recessed Installation Guide.'

ADDITIONAL RESOURCES

CHROMAPATH SLIM RECESSED CHANNEL INSTALL GUIDE

SAFETY / WARNINGS / DISCLOSURES

1. Install in accordance with national and local electrical code regulations.
2. This product is intended to be installed by an experienced contractor or electrician.
3. Wear proper safety protection when using dangerous tools.
4. For indoor and dry use only. Do not install outdoors or in wet locations.
5. Do not modify product beyond instructions or warranty will be void.

WARRANTY

Limited Warranty

This product has a two (2) year limited warranty from the date of shipment. This warranty does not include the additional accessories referenced in this specification sheet. Complete warranty details for fixtures and additional accessories are available at www.DiodeLED.com under the 'Tools & Resources' tab. For warranty related questions please contact product support.

Consumer's Acknowledgment

Diode LED stands behind its products when they are used properly and according to our specifications. By purchasing our products, the purchaser agrees and acknowledges that lighting design, configuration and installation is a complex process, wherein seemingly minor factors or changes in layout and infield adjustments can have a significant impact on an entire system. Choosing the correct components is essential. Diode LED is able to work with the original purchaser to make an appropriate product selection to the extent of the limited information that the customer can provide, but it is virtually impossible for Diode LED to design a system that foresees every unknown factor. For this reason, this Warranty does not cover problems caused by improper design, configuration or installation issues. Any statement from a Diode LED employee or agent regarding a customer's bill of goods and/or purchase order is NOT an acknowledgment that the products purchased are designed and configured correctly. The purchase agrees and acknowledges that it is the customer's responsibility to adhere strictly to all information contained in the Product Specification Sheets.

There is often more than one way to design, configure and layout an LED lighting application properly to achieve the same lighting effect. Diode LED strongly recommends that licensed professionals be used in the design and installation of lighting systems that include Diode LED products. The specifications include important information that a designer and installer should carefully review and strictly follow. Qualified designers and certified and/or licensed installers, with access to the final installation environment, customer goals, and Diode LED product specifications can make the requisite decisions appropriate for a successful finished lighting application.



© 2016 Elemental LED Inc. All rights reserved.
Specifications are subject to change without notice.

Toll Free: 877.817.6028 | Fax: 415.592.1596 | www.DiodeLED.com | info@DiodeLED.com