

# TUNABLE WHITE DMX WALL MOUNT ZONE CONTROLLER

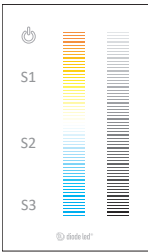
## INSTALLATION GUIDE

### SAFETY & WARNINGS

1. Install in accordance with national and local electrical code regulations.
2. This product is intended to be installed and serviced by a qualified, licensed electrician.
3. DO NOT connect directly to high voltage power. Install with a compatible Class 2 constant voltage LED driver (power supply).
4. Only install compatible 12V and 24VDC constant voltage luminaires.
5. This product is rated for indoor installation and is not protected against moisture.
6. Do not modify product beyond instructions or warranty will be void.

### QUICK SPECS / MODELS

#### DI-DMX-TW-WMDC-1ZWH



<b>Input Voltage</b>	12 - 24VDC Constant Voltage
<b>Output Signal</b>	DMX512

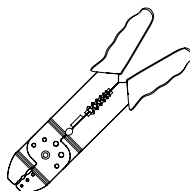
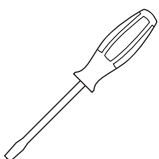
### TOOLS FOR INSTALL

- Phillips-head screwdriver      Flat-head screwdriver



- Mini flat-head screwdriver

- Wire stripper

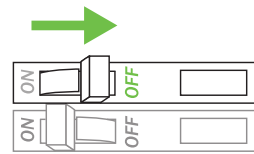


### INSTALLATION

#### 1 TURN POWER OFF AT CIRCUIT BREAKER

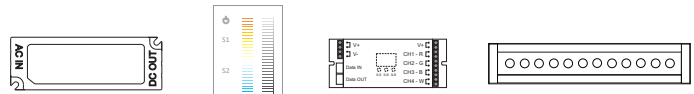


**SHOCK HAZARD! May result in serious injury or death.**  
Turn power OFF at circuit breaker prior to installation.



#### 2 DETERMINE LOCATION TO INSTALL COMPONENTS

See **SYSTEM DIAGRAM** for more information. DMX luminaires can be connected directly to controller. DMX Decoders are only utilized to control Non-DMX type luminaires.



LED Driver(s)

Controller

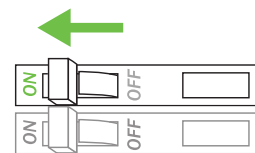
DMX Decoder

Luminaire

#### 3 CONNECT COMPONENTS

Only use copper wiring. Reference **WIRING CONNECTIONS** and **SYSTEM DIAGRAM** further in this guide for visuals.

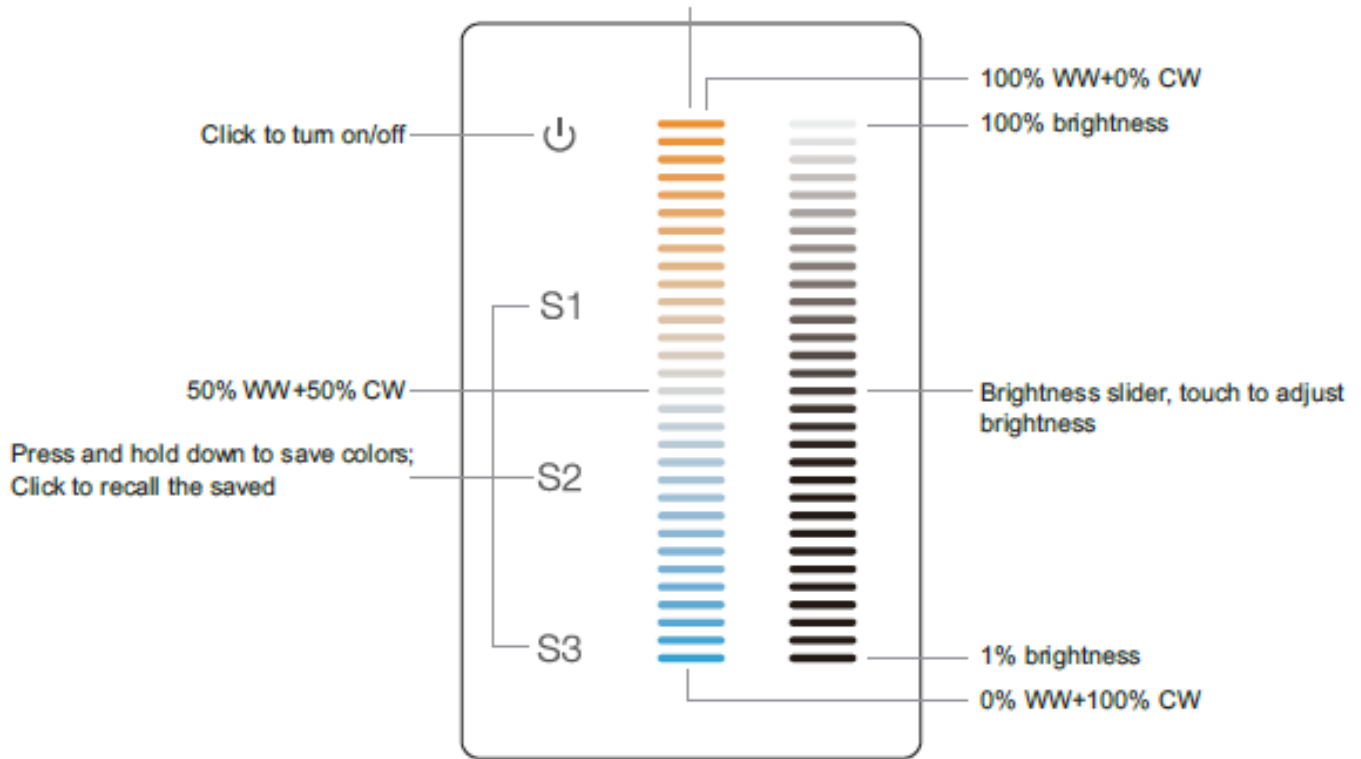
#### 4 TURN POWER ON AT CIRCUIT BREAKER



If system remains unresponsive or is working improperly, turn OFF main power at breaker and verify all connections.

## INSTALLATION CONT.

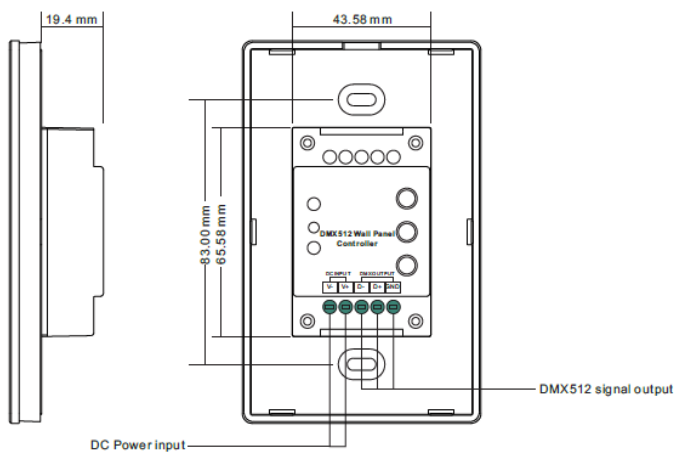
Dual color slider, touch to adjust color temperature between Warm White and Cool White



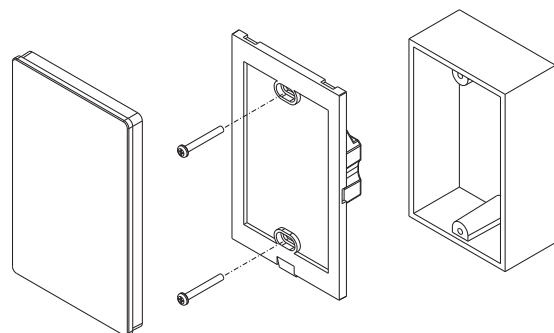
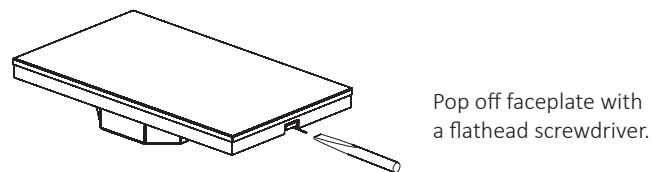
## WIRING CONNECTIONS

DO NOT connect directly to 120VAC.

See 'System Diagram' for a general system design.



## MOUNTING



## SETTING DMX ADDRESS

Each DMX decoder or DMX luminaire needs to be addressed correctly so the controller can communicate to each decoder. To pair a DMX decoder or luminaire to the controller, set each decoder/luminaire to the following address:

- Set to address '001' (will be fixed to address 001 – 002)

The controller is fixed with 2 DMX addresses to control the 2 channels:

CH1 – Warm White, CH2 – Cool White.

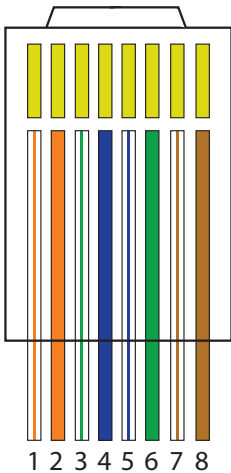
### Example of DMX Addressing Display



**Once DMX address is set on luminaire or DMX decoder, ensure to Press Zone 1, 2, or 3 on the controller to control desired zone.**

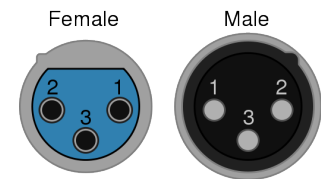
## PINOUT CONNECTION GUIDE

The following diagrams/tables indicate the appropriate connections for patching your own CAT5/RJ45, and XLR-3 splice cables. These diagrams are for general reference and may slightly differ between different cable manufacturers.



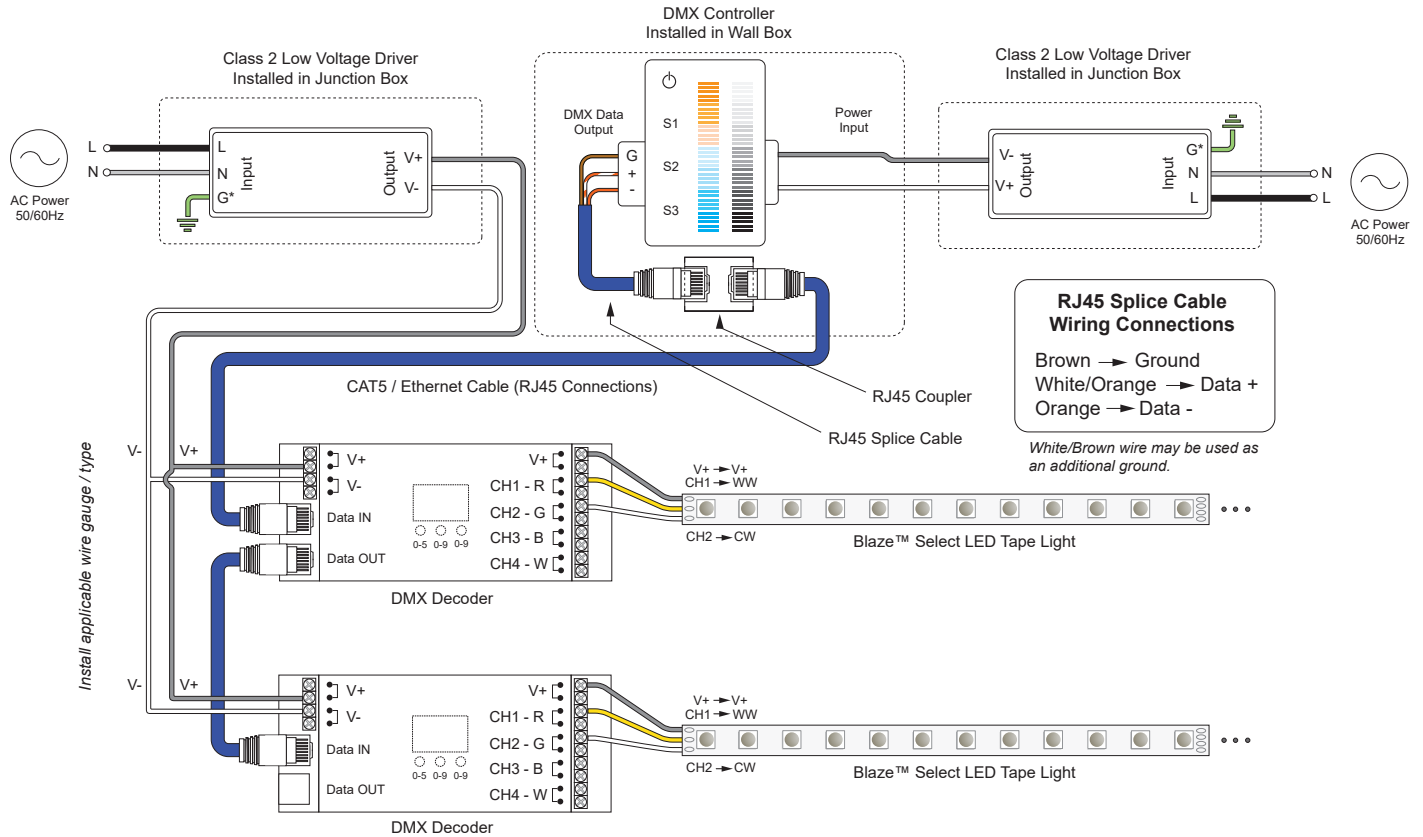
Pin No.	Wire Color	Function
1	White/Orange	Data +
2	Orange	Data -
3	White/Green	None
4	Blue	None
5	White/Blue	None
6	Green	None
7	White/Brown	May be used as 2nd ground
8	Brown	Ground

Pin No.	Function
1	Ground
2	Data -
3	Data +



# SYSTEM DIAGRAM

The following diagram is provided as an example system design. CAT5 (RJ45 connections) data cables are the most cost-effective solution for transmitting DMX-512 signals. XLR-3 cables may also be installed but require an additional adapter for connecting to DMX decoders. Always review each component installation guide for detailed and up-to-date wiring instructions. Install in accordance with NEC and local regulations.



## **TROUBLESHOOTING**

*For thorough troubleshooting of LED strip light and luminaires, see LED luminaire installation guides.*

### **LED luminaires not responding to touch**

1. Ensure the blue indicator light is on by pressing 'Power.' A red indicator signifies the device is off. The blue indicator light will blink rapidly when pressing/holding any key on the touch pad.
2. Ensure the DMX decoder/luminaire is addressed properly. For example, address '001' will respond to zone 1 of the controller. See 'Setting the DMX Address' for additional addressing information.

### **LED luminaire responding incorrectly**

Ensure all wiring connections are correct. Reversing the Data + and Data - will cause lights to flicker and not respond to controller.

1. Check power connections of all components (drivers, DMX decoders/luminaires, DMX controller).
2. Check DMX Data connections - See **Pinout Connection Guide** and **System Diagram** for RJ45 hard-wiring connections.
3. Check DMX decoder connections – See **System Diagram** for CH 1-4 connections.

## **ADDITIONAL RESOURCES**

Visit the online product page at [www.DiodeLED.com](http://www.DiodeLED.com) for additional product specifications & warranty information.

- **TUNABLE WHITE DMX512 CONTROLLER SPECIFICATION SHEET**

For full specifications.

- **VOLTAGE DROP CHARTS**

Use to specify appropriate wire gauge for installation. Available at the 'Resources' page at [www.DiodeLED.com](http://www.DiodeLED.com).



Toll Free: 877.817.6028 | Fax: 415.592.1596 | [www.DiodeLED.com](http://www.DiodeLED.com) | [info@DiodeLED.com](mailto:info@DiodeLED.com)  
© 2022 Elemental LED Inc. All rights reserved. Specifications are subject to change without notice.