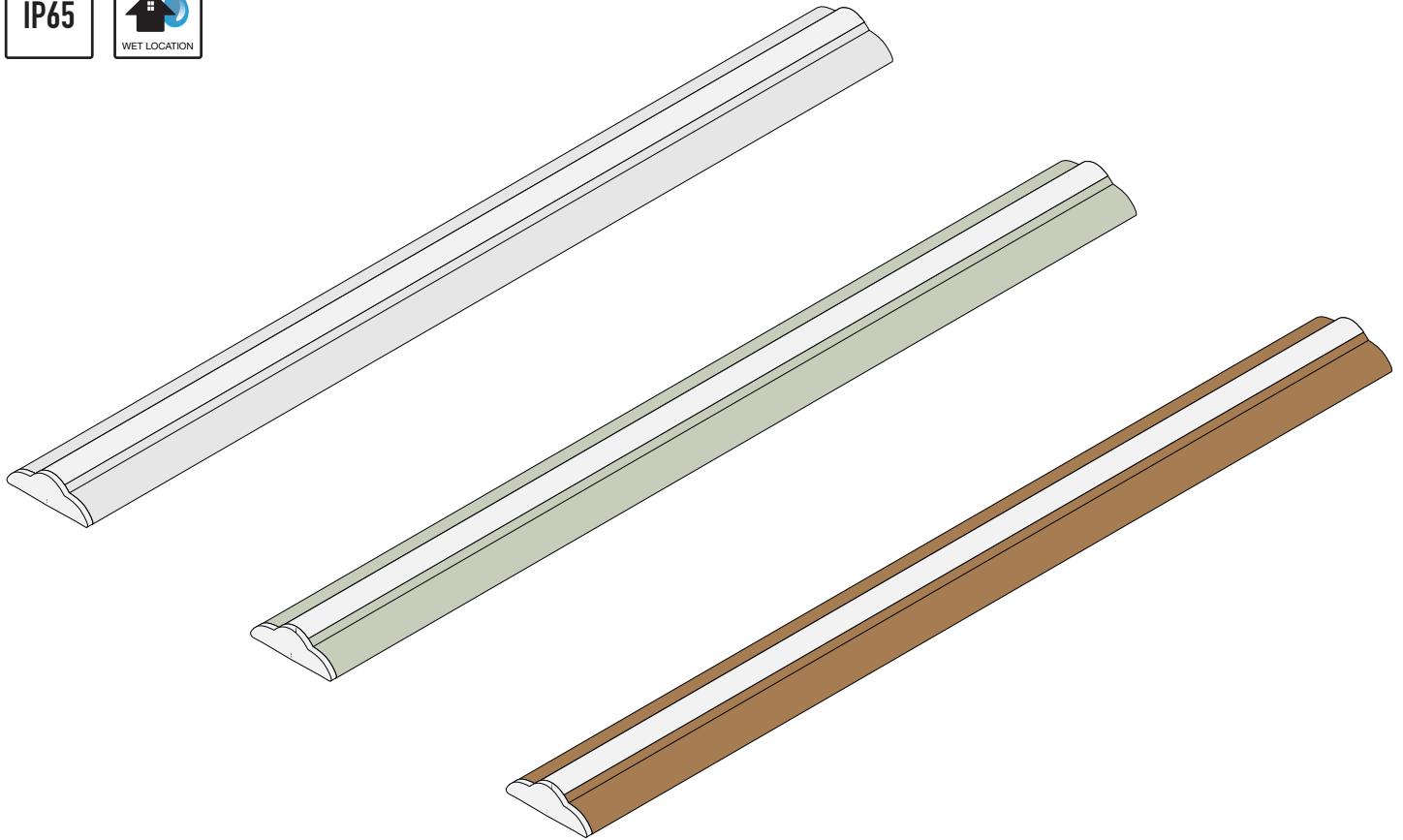




IP65



WET LOCATION



SAFETY & WARNINGS

1. Install in accordance with national and local electrical code regulations.
2. This product is intended to be installed and serviced by a qualified, licensed electrician.
3. Do not modify or disassemble this product beyond instructions or the warranty will be void.
4. Do not submerge, or install within 5 feet of a swimming pool.

QUICK SPECS / MODELS

DI-ELMT-CR-48-*

| | |
|---------------|-----------|
| Length | 48 inches |
|---------------|-----------|

ADDITIONAL ACCESSORIES

Channel Cover and Base
DI-ELMT-CR-48-*

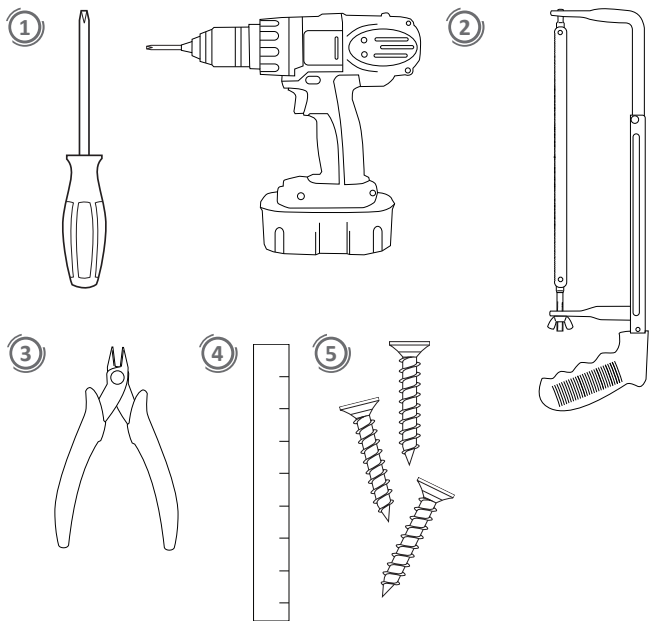


* Indicates color

ELEMENT™ CROWN Outdoor LED Channel

INSTALLATION GUIDE

REQUIRED TOOLS



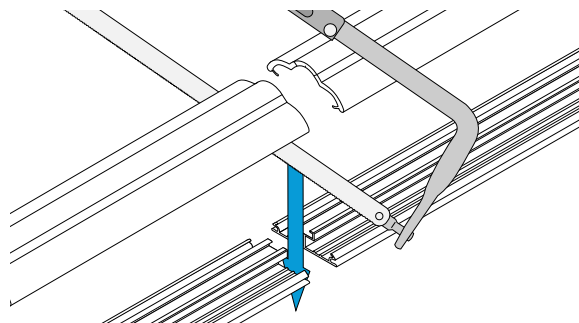
1. Phillips-head Screwdriver and/or Power Drill
2. Hack Saw
3. Wire Snips
4. Ruler
5. (2x per foot) M2.9 (#4) (or similar) screws

INSTALLATION

1 CUT CHANNEL TO LENGTH

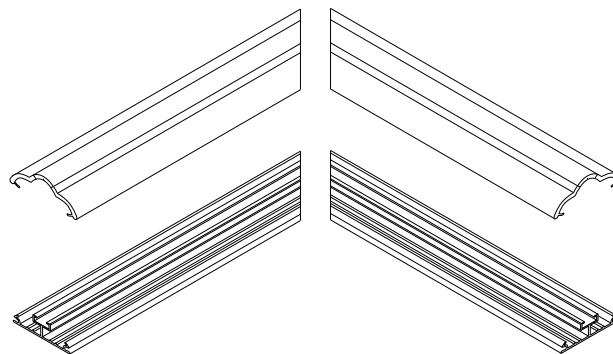
a STRAIGHT CUTS

Using a hack saw or band saw, cut cover to length.



b MITER CUTS

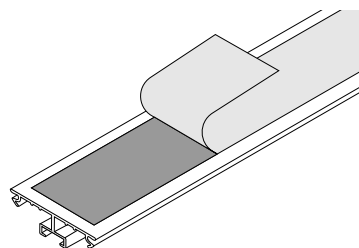
When mitering the Channel and Cover, cut at an angle.



2 PLACE ELEMENT™ CROWN CHANNEL

2.1 3M ADHESIVE BACK

Peel backing from 3M adhesive strip on back of channel.



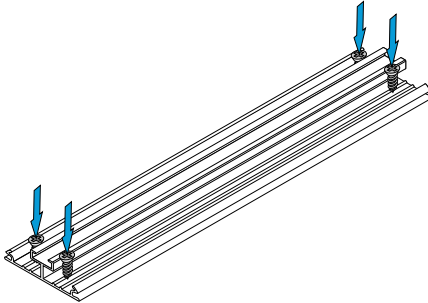
ELEMENT™ CROWN Outdoor LED Channel

INSTALLATION GUIDE

INSTALLATION (CONT.)

2.2 FASTEN CHANNEL

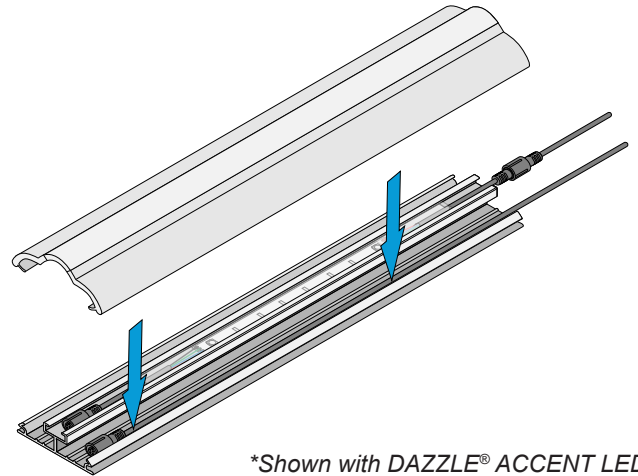
Allowing 3M adhesive to hold the channel in place, use screws to fasten channel to surface.*



**Note: Ensure that plenty of space is left between channels when installing around corners. Pinching, or bending Strip Light and/or extension cables may result in damage to the system.*

3.2 SIDE CHANNELS

The lower areas on either side of the channel may be used to place and hide additional wires used for installation.

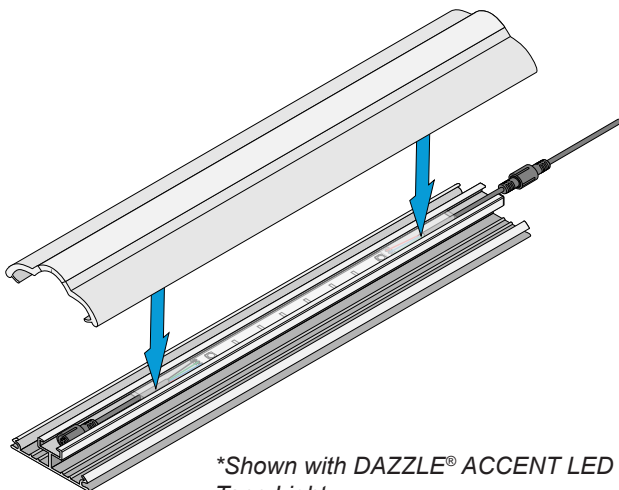


**Shown with DAZZLE® ACCENT LED Tape Light.*

3 ASSEMBLE STRIP LIGHT WITHIN CHANNEL

3.1 PLACE STRIP LIGHT WITHIN RAISED CHANNEL

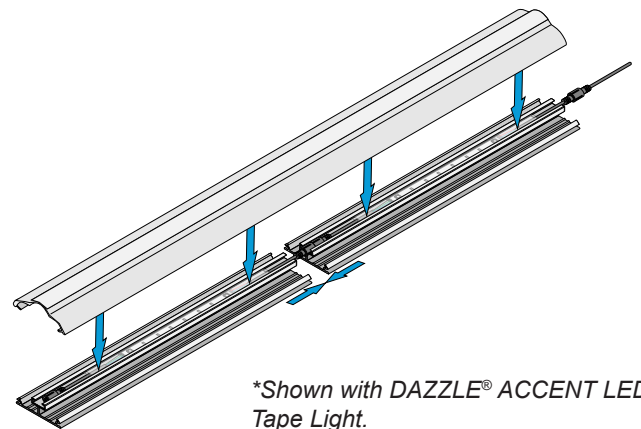
From one end, place Strip Light within raised channel.



**Shown with DAZZLE® ACCENT LED Tape Light.*

3.3 CONNECTING MULTIPLE CHANNELS

Line up ends of channels, then overlap single cover to ensure channels are properly aligned.



**Shown with DAZZLE® ACCENT LED Tape Light.*

ELEMENT™ CROWN Outdoor LED Channel

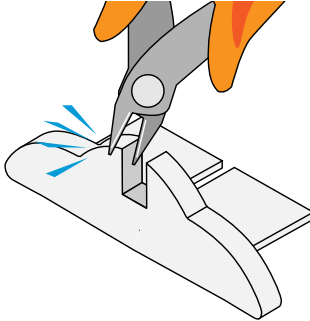
INSTALLATION GUIDE

INSTALLATION (CONT.)

4 ATTACH ENDCAPS

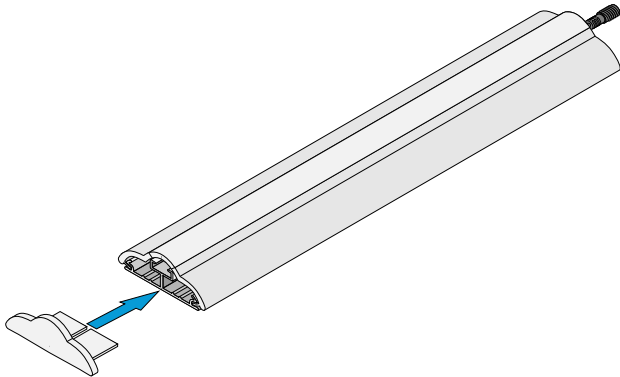
4.1 CUT OPENING FOR WIRING

Using Wire Snips, cut an opening in endcap large enough to slot wires.



4.2 PLACE COVER AND END CAP

Snap covers onto channel. Insert end caps into channel ends.



5 ATTACH CONTROLLER AND DRIVER

Verify a compatible driver is installed. Utilize applicable wiring when installing outdoors. (Use of wet location rated junction box recommended)

*Check Installation Guide of Tape Light used for more information.

COMPATIBLE LED TAPE LIGHTS

DAZZLE® ACCENT LIGHTING SYSTEM

DAZZLE® RGB WET LOCATION STRIP LIGHT

BLAZE™ WET LOCATION LED STRIP LIGHT

FLUID VIEW® WET LOCATION LED STRIP LIGHT

HYDROLUME® 24V LED STRIP LIGHT

HYDROLUME® SLIM 24V LED STRIP LIGHT

AlphaTECH™ LED STRIP LIGHT



Toll Free: 877.817.6028 | Fax: 415.592.1596 | www.DiodeLED.com | info@DiodeLED.com

© 2015 Elemental LED Inc. All rights reserved. Specifications are subject to change without notice.