

SAFETY & WARNINGS

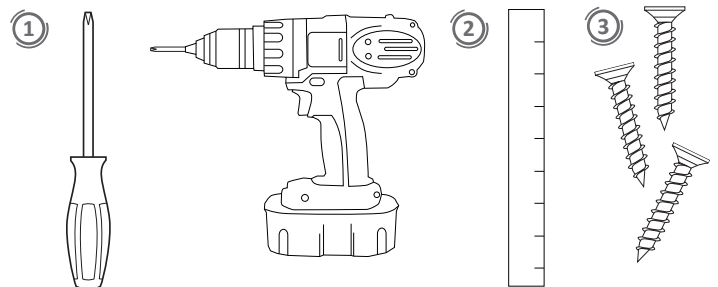
1. Install in accordance with national and local electrical code regulations.
2. This product is intended to be installed and serviced by a qualified, licensed electrician.
3. Do not modify or disassemble this product beyond instructions or the warranty will be void.
4. Do not submerge, or install within 5 feet of a swimming pool.

QUICK SPECS / MODELS

DI-ELMT-FT-39 (2 pack)

Length	39 inches
--------	-----------

REQUIRED TOOLS



1. Phillips-head Screwdriver and/or Power Drill
2. Ruler
3. (2x per foot) M2.9 (#4) (or similar) screws

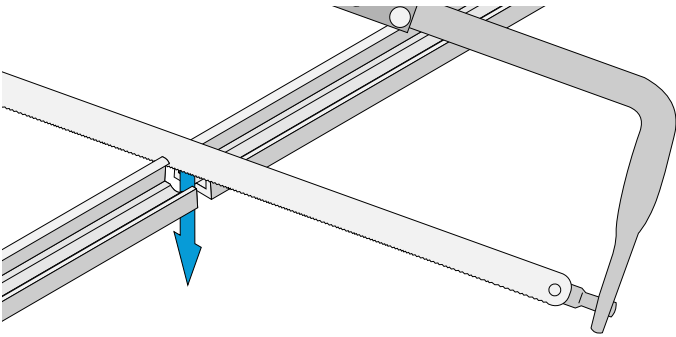
ELEMENT™ FORTÉ Outdoor LED Channel

INSTALLATION GUIDE

INSTALLATION

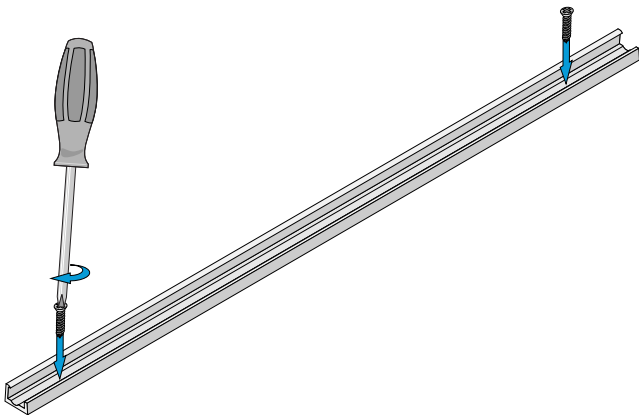
1 CREATE CHANNEL LENGTHS

Using a hack saw or band saw, cut cover to length.



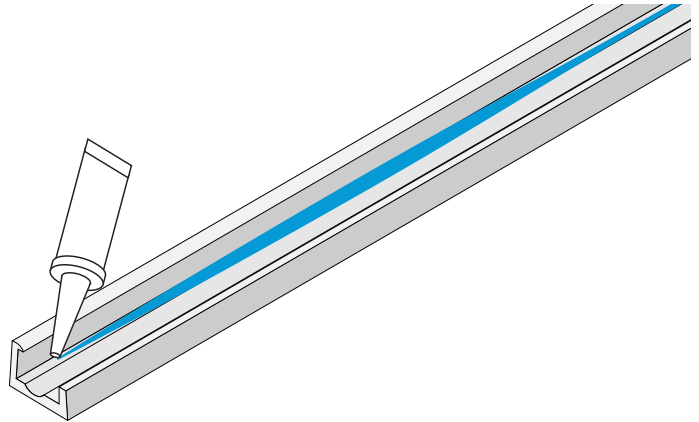
2 MOUNT ELEMENT™ FORTÉ TO SURFACE

Mark placement for **ELEMENT™ FORTÉ** Outdoor LED Channel -- roughly 12 inches apart. Fasten brackets with M2.9 (#4) screw or similar size (not provided).

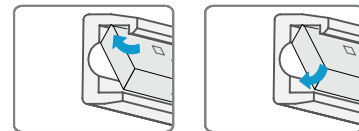


3 MOUNT LED STRIP LIGHT INTO CHANNEL

- 1 Line the inside of the channel using a silicone based adhesive.



- 2 Insert one edge of Strip Light into hooked side of channel, then press other edge of Strip Light into channel.



4 ATTACH CONTROLLER AND DRIVER

Verify a compatible driver is installed. Utilize applicable wiring when installing outdoors. (Use of wet location rated junction box recommended)

**Check Installation Guide of Tape Light used for more information.*

COMPATIBLE LED TAPE LIGHTS

DAZZLE® ACCENT LIGHTING SYSTEM
BLAZE™ WET LOCATION LED STRIP LIGHT
FLUID VIEW® WET LOCATION LED STRIP LIGHT



Toll Free: 877.817.6028 | Fax: 415.592.1596 | www.DiodeLED.com | info@DiodeLED.com
© 2019 Elemental LED Inc. All rights reserved. Specifications are subject to change without notice.