

EMERY™ A2 24V Linear Lighting Fixture

A shallow, architectural-grade fixture with an integrated wire raceway.

Date _____

Project Notes _____



FEATURES	MECHANICAL DIAGRAM
<ul style="list-style-type: none"> Narrow profile with hidden wire raceway Assembled in the USA Multiple output options Three architectural lens options IP20 (Indoor / Damp Location) Closet rated SS: 12 Year Warranty / VE & STD: 7 Year Warranty 	

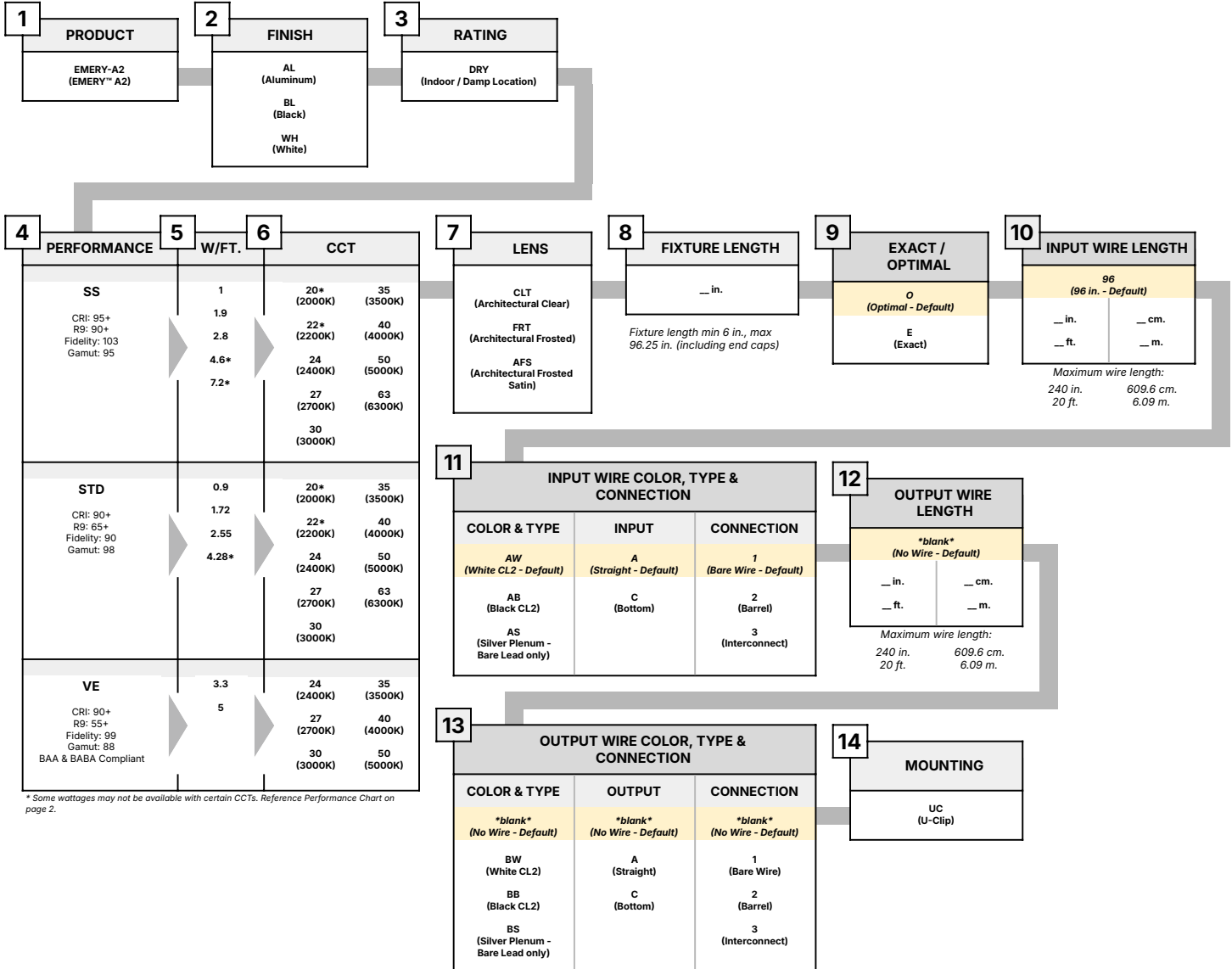
ORDERING CODES

Order customized fixture

Options 1-8 & 14 are required to create a fixture.

Options 9 - 13 are not required to create a fixture.

1	2	3	4	5	6	7	8	9	10	11	12	13	14
Product	Finish	Rating	Performance	W/ft.	CCT	Lens	Fixture Length	Exact / Optimal	Input Wire Length	Input Wire Color, Type & Connection	Output Wire Length	Output Wire Color, Type & Connection	Mounting
DI													



* Some wattages may not be available with certain CCTs. Reference Performance Chart on page 2.

EMERY™ A2 24V

Linear Lighting Fixture

A shallow, architectural-grade fixture with an integrated wire raceway.

Date _____

Project Notes _____



SS Performance

Wattage	CCT	Arch Clear	Arch Frosted	Arch Satin
1 W/ft.	2000K	94	73	57
	2200K	94	73	57
	2400K	94	73	57
	2700K	91	71	56
	3000K	95	74	58
	3500K	97	76	59
	4000K	101	78	62
	5000K	104	81	64
6300K	101	78	62	
1.9 W/ft.	2000K	175	136	107
	2200K	175	136	107
	2400K	175	136	107
	2700K	186	145	114
	3000K	196	153	120
	3500K	196	153	120
	4000K	205	160	125
	5000K	218	169	133
6300K	220	171	134	
2.8 W/ft.	2000K	269	209	164
	2200K	269	209	164
	2400K	269	209	164
	2700K	280	218	171
	3000K	291	226	178
	3500K	295	230	180
	4000K	308	239	188
	5000K	329	256	201
6300K	327	254	200	
4.6+ W/ft.	2000K	-	-	-
	2200K	-	-	-
	2400K	422	328	258
	2700K	446	347	272
	3000K	501	390	306
	3500K	527	410	322
	4000K	481	374	294
	5000K	533	414	326
6300K	520	405	318	
7.2+ W/ft.	2000K	-	-	-
	2200K	-	-	-
	2400K	657	511	402
	2700K	704	547	430
	3000K	768	597	469
	3500K	815	634	498
	4000K	725	564	443
	5000K	756	588	462
6300K	832	647	508	

STD Performance

Wattage	CCT	Arch Clear	Arch Frosted	Arch Satin
0.9 W/ft.	2000K	83	64	51
	2200K	86	67	53
	2400K	93	72	57
	2700K	104	81	63
	3000K	96	75	59
	3500K	99	77	61
	4000K	97	76	59
	5000K	93	72	57
6300K	98	76	60	
1.72 W/ft.	2000K	172	134	105
	2200K	176	137	107
	2400K	185	144	113
	2700K	199	155	122
	3000K	200	155	122
	3500K	185	144	113
	4000K	188	146	115
	5000K	185	144	113
6300K	187	146	114	
2.55 W/ft.	2000K	257	200	157
	2200K	263	204	161
	2400K	275	214	168
	2700K	293	228	179
	3000K	296	230	181
	3500K	268	209	164
	4000K	282	219	172
	5000K	271	211	166
6300K	275	214	168	
4.28+ W/ft.	2000K	-	-	-
	2200K	-	-	-
	2400K	455	354	278
	2700K	485	377	296
	3000K	454	353	277
	3500K	455	354	278
	4000K	461	358	282
	5000K	455	354	278
6300K	461	358	282	

VE Performance

Wattage	CCT	Arch Clear	Arch Frosted	Arch Satin
3.3 W/ft.	2400K	225	175	138
	2700K	259	202	158
	3000K	263	204	161
	3500K	257	200	157
	4000K	291	226	178
	5000K	297	231	182
5 W/ft.	2400K	351	273	215
	2700K	362	281	221
	3000K	368	286	225
	3500K	379	295	232
	4000K	419	326	256
	5000K	428	333	261

EMERY™ A2 24V
Linear Lighting Fixture

A shallow, architectural-grade fixture with an integrated wire raceway.

Date _____

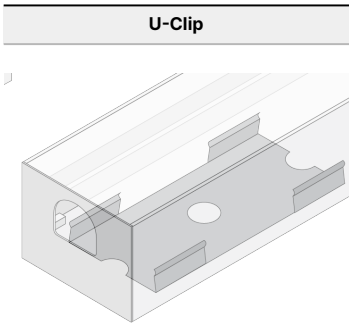
Project Notes _____



A2 FIXTURE DIFFUSION

	SS / STD Diffusion	VE Diffusion
ARCHITECTURAL CLEAR		
ARCHITECTURAL FROSTED		

MOUNTING OPTIONS



U-Clip Total Dimensions:
0.64 × 0.64 (H x W)

EMERY™ A2 24V

Linear Lighting Fixture

A shallow, architectural-grade fixture with an integrated wire raceway.

Date _____

Project Notes _____



RECOMMENDED 24V DRIVERS

SKU	INPUT VOLTAGE / FREQUENCY	OUTPUT VOLTAGE	MAXIMUM LOAD	MINIMUM LOAD	CLASS 2	DIMMABLE	LENGTH	WIDTH	HEIGHT
OMNIDRIVE® X Dimmable Driver OMNIDRIVE® X Dimmable Driver Specification Sheet Versatile driver for most high-performance dimming on ELV, TRIAC, and 0-10V systems. https://www.diodeled.com/custom/download/productFile/filename/omnidrive-x-specification-sheet.pdf/ Contains: • Additional Models • Derating Curves • Additional Features • System Diagrams									
DI-ODX-24V30W-J	120-277V	24V	30W	No Minimum Load	Yes	Yes	6.5 in.	3.7 in.	1.57 in.
DI-ODX-24V60W-J	120-277V	24V	60W	No Minimum Load	Yes	Yes	7.4 in.	3.7 in.	1.57 in.
DI-ODX-24V96W-J	120-277V	24V	96W	No Minimum Load	Yes	Yes	8.66 in.	3.7 in.	1.57 in.
DI-ODX-24V120W-J	120-277V	24V	120W	No Minimum Load	No	Yes	8.66 in.	3.7 in.	1.57 in.
VLM Series Constant Voltage Driver VLM Series Constant Voltage Driver Specification Sheet Compact driver for on/off, PWM dimming, and color-changing applications. https://www.diodeled.com/custom/download/productFile/filename/VLM-Specification%20Sheet%20(Driver%20%20J-Box).pdf/ Contains: • Additional Models • Derating Curves • Additional Features • System Diagrams									
VLM60W-24	120 / 277VAC 47 - 63Hz	24V	60W	No Minimum Load	Yes	PWM	5.1 in.	0.75 in.	0.77 in.
VLM60W-24-LPS3R	120 / 277VAC 47 - 63Hz	24V	60W	No Minimum Load	Yes	PWM	10.79 in.	7.34 in.	2.36 in.
VLM100W-24	120 / 277VAC 47 - 63Hz	24V	100W	No Minimum Load	Yes	PWM	5.38 in.	1 in.	0.77 in.
VLM100W-24-LPS3R	120 / 277VAC 47 - 63Hz	24V	100W	No Minimum Load	Yes	PWM	10.79 in.	7.34 in.	2.36 in.

EMERY™ A2 24V

Linear Lighting Fixture

A shallow, architectural-grade fixture with an integrated wire raceway.

Date _____

Project Notes _____



CERTIFICATIONS

Safety

- UL Listed 2108 Low Voltage Luminaires. Certified for United States and Canada. File # E469769.
- Approved for storage areas of clothes closets per NEC 410.16.A.3 and 410.16.C.5

Performance

- Can be used to comply with TITLE 24 Part 6 High Efficacy Lighting LED requirements - JA8-2016-2022-E
- LED chip data measured in accordance to IES LM-80-08.
- Photometric & Colorimetry data measured in accordance to IES LM-79-08, in Elemental LED's Innovation Lab.

Safety / Warnings / Disclosures

1. Install in accordance with national and local electrical code regulations.
2. This product is intended to be installed and serviced by a qualified, licensed electrician.
3. Only use copper wiring. Use wires rated for at least 176°F (80°C) and certified for use with external connection of electrical equipment.
4. Tape light, attached wire leads, and additional extension cables, connectors, etc., are not rated for in-wall installation unless otherwise noted. Tape light and attached wire leads are field-cuttable.
5. Ensure applicable wire is installed between driver, fixture, and any controls in-between. When choosing wire, factor in voltage drop, amperage rating, and type (in-wall rated, wet location rated, etc.). Inadequate wire installation could overheat wires, and cause fire.
6. Do not install in environment where LED chips are exposed to direct sunlight as damage to the phosphor will occur.
7. Do not install in environment where excessive heat may exist (ex. close proximity to fireplace, etc.) See Ambient Temperature ratings
8. Do not modify product beyond instructions or warranty will be void.
9. Actual color may vary from what is pictured on this sheet and other print materials due to the limitations of photographic processes.
10. We reserve the right to modify and improve the design of our fixtures without prior notice. We cannot guarantee to match existing installed fixtures for subsequent orders or replacements in regards to product appearance, CCT, or lumen output.

- Lumen value measured in accordance to IES LM-80-08. LED chips have a luminous flux range with a tolerance of +/- 5%.
- Each maximum run requires a dedicated power feed from the driver. Do not extend beyond the recommended maximum run length. Max run may exceed Class 2 limit. Actual wattage may differ from calculated wattage due to voltage drop across run.
- Do not install product in an environment outside the listed ambient temperature. Exceeding the maximum ambient temperature may damage LED chips, reduce the total lamp life, lumen output, and/or adversely impact color consistency.
- Actual efficacy value is dependent to specified LED driver (power supply). An estimated efficacy value can be calculated as follows: Lumen value divided by average power consumption per foot.
- Operating temperature is measured according to the minimum and maximum ambient temperature environment.

WARRANTY

Limited Warranty

- SS: 12 Year Warranty / VE & STD: 7 Year Warranty

This warranty does not include the additional accessories referenced in this specification sheet. Complete warranty details for fixtures and additional accessories are available at www.diodeled.com/limited-warranty/ within the Policies section. For warranty related questions please contact product support.

Consumer's Acknowledgment

Elemental LED, Inc. stands behind its products when they are used properly and according to our specifications. By purchasing our products, the purchaser agrees and acknowledges that lighting design, configuration and installation is a complex process, wherein seemingly minor factors or changes in layout and infield adjustments can have a significant impact on an entire system. Choosing the correct components is essential. Elemental LED is able to work with the original purchaser to make an appropriate product selection to the extent of the limited information that the customer can provide, but it is virtually impossible for Elemental LED to design a system that foresees every unknown factor. For this reason, this Warranty does not cover problems caused by improper design, configuration or installation issues. Any statement from a Elemental LED employee or agent regarding a customer's bill of goods and/or purchase order is NOT an acknowledgment that the products purchased are designed and configured correctly. The purchase agrees and acknowledges that it is the customer's responsibility to adhere strictly to all information contained in the Product Specification Sheets.

There is often more than one way to design, configure and layout an LED lighting application properly to achieve the same lighting effect. Elemental LED strongly recommends that licensed professionals be used in the design and installation of lighting systems that include Elemental LED products. The specifications include important information that a designer and installer should carefully review and strictly follow. Qualified designers and certified and/or licensed installers, with access to the final installation environment, customer goals, and Elemental LED product specifications can make the requisite decisions appropriate for a successful finished lighting application.