



Item # _____

Project _____



	DI-24V-SE-NBL1-RGB-65	DI-24V-SE-NBL4-RGB-16
Voltage/Wattage	24V / 1.2W/ft.	24V / 4.4W/ft.
Lumens¹ per foot	3 (blue), 14 (green), 2 (red), 20 (RGB)	6 (blue), 30 (green), 9 (red), 42 (RGB)
Max. Run²	65.6 feet	16.4 feet
Cut Points	2.45 inch	
Diffusion	Zero Line Diffusion™	
Dimmable	Yes	
Field Cuttable	No	
Dimensions	0.75 x 0.37 in. (H x W) (Strip Only)	
Environment*	Outdoor / Wet Location / IP65	
Certification	UL Listed 2108	
Warranty	5-Year Warranty	
Direction	Side Bending	

***WARNING: NOT FOR USE IN SUBMERSIBLE APPLICATIONS**

NEON BLAZE™ 24V RGB LED Strip Light

SIDE BENDING STRIP LIGHT SPECIFICATION SHEET

SKU BUILDER

DI	-	24V	-	SE	-		-	RGB	-		-		-	
		Voltage		Chip Facing		Model		Color		Length (in.)		Driver (Optional)		Mounting (Optional)

MODEL	LENGTH	DRIVER	MOUNTING
NBL1	Length (in.)	CONSTANT VOLTAGE (CV)	SIDE BENDING BOTTOM CLIP (SBC)
NBL4	SP16		SIDE BENDING TOP CLIP (STC)
	SP65		CHANNEL (CHN)

(NBL4 only)

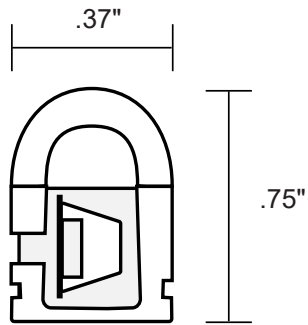
(NBL1 only)

Example: DI-24V-SE-NBL4-RGB-16-CV-SBC = Diode LED, 24V NEON BLAZE™, 4.44 w/ft. RGB, 16.4' long, 96" Lead Wire, and with a Constant Voltage Driver, and Side Bending Bottom Clips.

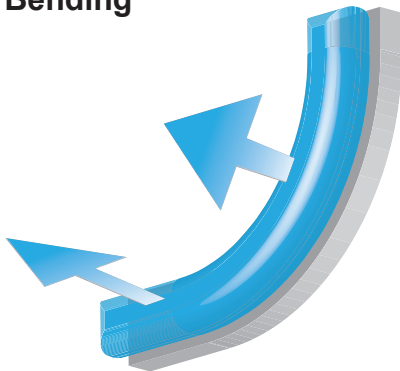
MECHANICAL DIAGRAMS

NEON BLAZE™ 24V LED Strip Light

Side bending



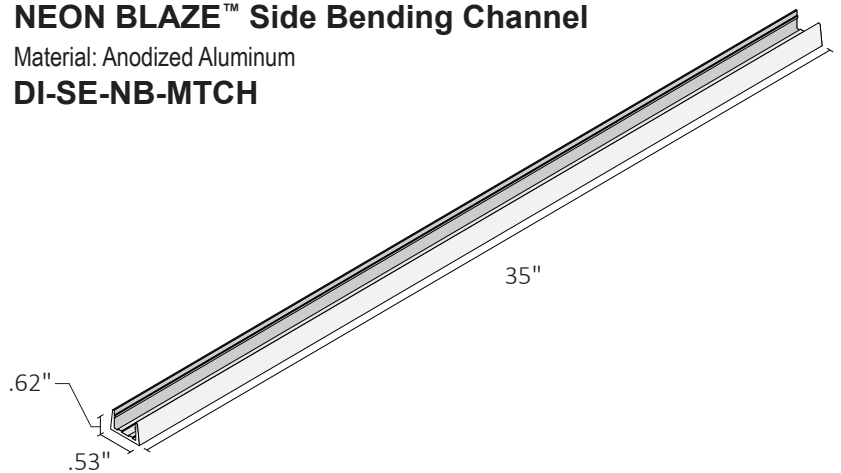
Side Bending



NEON BLAZE™ Side Bending Channel

Material: Anodized Aluminum

DI-SE-NB-MTCH



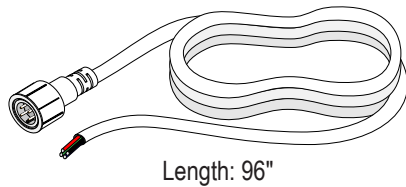
NEON BLAZE™ 24V RGB LED Strip Light

SIDE BENDING STRIP LIGHT SPECIFICATION SHEET

ADDITIONAL ACCESSORIES

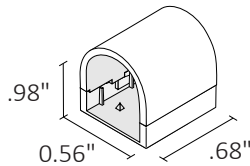
Accessories listed below are fully compatible with our BLAZE NEON™ 24V LED Strip Light product line. Further information on these products and more accessories can be found in our latest catalog or online at www.DiodeLED.com.

NEON BLAZE™
96" Male Connector
DI-NB-RGB-96M-CNCT
(16 AWG)

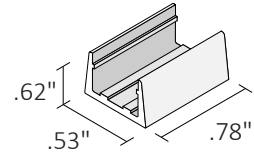


Length: 96"

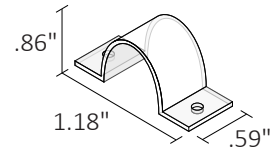
NEON BLAZE™ Side bending
End Cap
(sold separately)



NEON BLAZE™ Side bending
Bottom U-Clip
DI-SE-NB-BUC-16

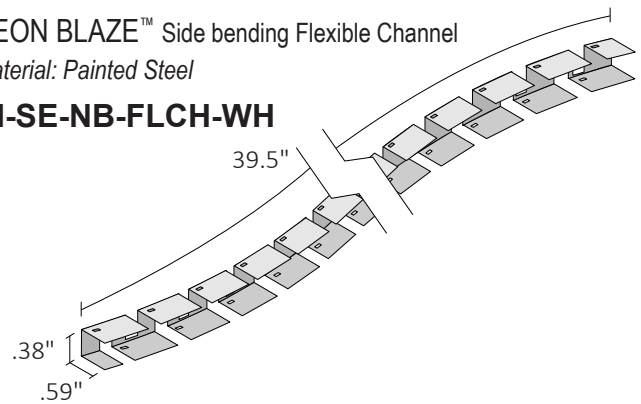


NEON BLAZE™ Side bending
Top U-Clip
DI-SE-NB-TUC-16



NEON BLAZE™ Side bending Flexible Channel
Material: Painted Steel

DI-SE-NB-FLCH-WH

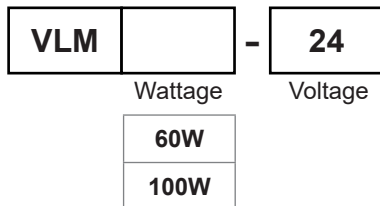


LED DRIVERS (Required)

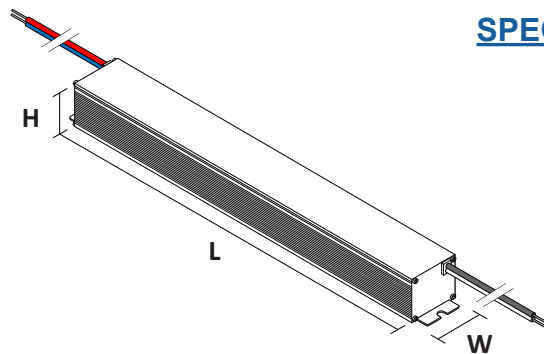
The following Listed LED Drivers are recommended for compatibility and to meet NEC code when installed according to specifications. For additional LED Driver options see Diode LED's product page at: <https://www.diodeled.com/products/led-power-supplies.html>

VLM SERIES CONSTANT VOLTAGE DRIVER

Use Constant Voltage Drivers to power your low voltage tape light. Compatible with Standard 120VAC On/Off Switches, REIGN® 12-24V Low Voltage Dimmers, TOUCHDIAL™ Control System, DMX Decoders, and PWM Controls.



[SPEC SHEET](#)



SKU	L - LENGTH	W - WIDTH	H - HEIGHT
VLM60W-24	5.1 in.	.75 in.	.77 in.
VLM100W-24	5.38 in.	1 in.	.77 in.



NEON BLAZE™ 24V RGB LED Strip Light

SIDE BENDING STRIP LIGHT SPECIFICATION SHEET

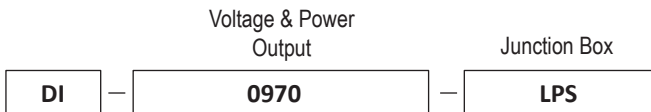
LED DRIVERS (Required)

The following Listed LED Drivers are recommended for compatibility and to meet NEC code when installed according to specifications. For additional LED Driver options see Diode LED's product page at: <https://www.diodeled.com/products/led-power-supplies.html>

DMX, & PWM CONTROL

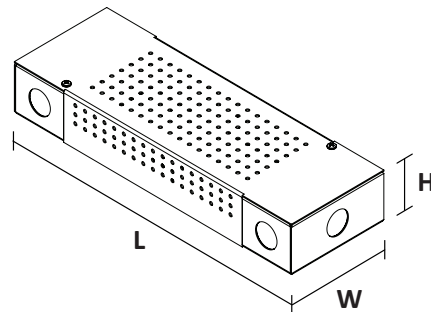
LO-PRO® JUNCTION BOX & DRIVER COMBO - 24V CONSTANT VOLTAGE LED DRIVER

Use Constant Voltage Drivers to power your lighting system. Compatible with Standard 120VAC On/Off Switches, REIGN® Low Voltage Dimmers, TOUCHDIAL™ Control System, DMX Decoders, and PWM Controls.



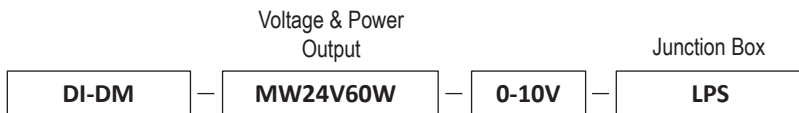
[SPEC SHEET](#)

SKU	L - LENGTH	W - WIDTH	H - HEIGHT
DI-0970-LPS	11.25 in.	3.75 in.	1.90 in.
DI-CV-MW24V60W-277-LPS	11.25 in.	3.75 in.	1.90 in.
DI-CV-MW24V90W-277-LPS	11.25 in.	3.75 in.	1.90 in.
DI-0954-LPL	13.5 in.	4.5 in.	2.37 in.



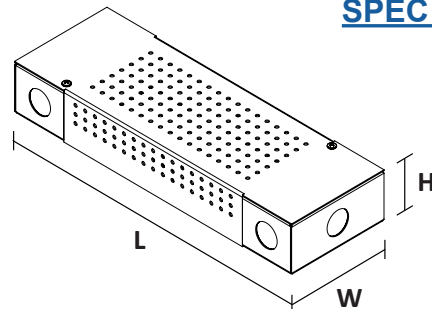
LO-PRO® JUNCTION BOX & DRIVER COMBO - 24V COMMERCIAL GRADE 0-10V LED DIMMABLE DRIVER

Compatible with 0-10V controls and dimming systems.



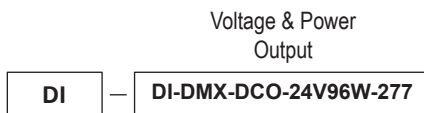
[SPEC SHEET](#)

SKU	L - LENGTH	W - WIDTH	H - HEIGHT
DI-DM-MW-24V60W-0-10V-LPS	11.25 in.	3.75 in.	1.90 in.
DI-DM-MW-24V90W-0-10V-LPL	13.5 in.	4.5 in.	2.37 in.



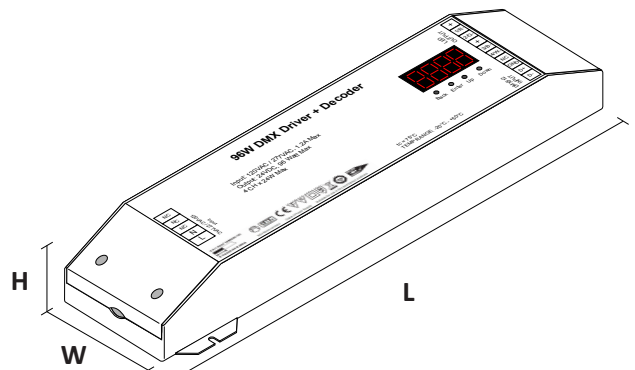
DMX DRIVER DECODER DRIVER & DECODER COMBO - 24V CONSTANT VOLTAGE LED DRIVER

Use Constant Voltage Drivers to power your lighting system. Compatible with DMX Color Controllers.



[SPEC SHEET](#)

SKU	L - LENGTH	W - WIDTH	H - HEIGHT
DI-DMX-DCO-24V96W-277	9 in.	2.5 in.	1.3 in.



NEON BLAZE™ 24V RGB LED Strip Light

SIDE BENDING STRIP LIGHT SPECIFICATION SHEET

SPECIFICATIONS

- Input: 24VDC Constant Voltage
- Material: UV/IR resistant silicone
- Mounting (sold separately): Bottom U-Clip (Plastic), Top U-Clip (Clear Plastic), Channel (Aluminum)
- Connections: **Spools include 12" straight connection. Custom cut available with straight connection only.**
- Ambient Temp⁴: -4 - 122°F (-20 ~ 50°C)
- Operating Temp⁵: -4 - 176°F (-20 ~ 80°C)
- Flammability⁶: Flame retardant
- UV Resistance: Yes but may still degrade over time

COMPLIANCE & REGULATORY APPROVALS

Safety

- UL Listed 2108 Low Voltage Lighting Systems. Certified for United States and Canada. File # E469769.

Performance

- LED chip data measured in accordance to IES LM-80-08.
- Photometric & Colorimetry data measured in accordance to IES LM-79-08, in Elemental LED's Innovation Lab.

COMPATIBLE DRIVERS

Additional information on compatible Drivers can be found on the Diode LED web site at: www.DiodeLED.com.

1. Lumen value measured in accordance to IES LM-79. LED chips have a luminous flux range with a tolerance of +/- 5%.
2. Each maximum run requires a dedicated power feed from the driver. Do not extend beyond the recommended maximum run length.
3. Actual efficacy value is dependent on specified LED driver (power supply). An estimated efficacy value can be calculated as follows: Lumen value divided by average power consumption per foot.
4. Do not install product in an environment outside the listed ambient temperature. Exceeding the maximum ambient temperature may damage LED chips, reduce the total lamp life, lumen output, and/or adversely impact color consistency.
5. Operating temperature is measured according to the minimum and maximum ambient temperature environment.
6. This product has been tested and passed glow-wire flammability tests (GWFI index) at 650°C/1200°F, providing an extra level of safety for common areas, hospitality, and areas of high risk fire.

NEON BLAZE™ 24V RGB LED Strip Light

SIDE BENDING STRIP LIGHT SPECIFICATION SHEET

ADDITIONAL INFORMATION

- NEON BLAZE™ 24V LED STRIP LIGHT Installation Guide

SAFETY / WARNINGS / DISCLOSURES

1. Install in accordance with national and local electrical code regulations.
2. This product is intended to be installed and serviced by a qualified, licensed electrician.
3. Only install with a listed Class 2 DC LED Driver.
4. Not for use in or on walls of pools, fountains, or other partially or fully submersed locations.
5. Do not modify or disassemble product beyond instructions or this warranty will be void.
6. Actual color may vary from what is pictured above and on other print materials due to the limitations of photographic processes.
7. We reserve the right to modify and improve the design of our fixtures without prior notice. We cannot guarantee to match existing installed fixtures for subsequent orders or replacements in regards to product appearance, CCT, or lumen output.

WARRANTY

Limited Warranty

This product has a five (5) year limited warranty from the date of shipment. This warranty does not include the additional accessories referenced in this specification sheet. Complete warranty details for fixtures and additional accessories are available at www.diodeled.com/limited-warranty/ within the Policies section. For warranty related questions please contact product support.

Consumer's Acknowledgment

Elemental LED, Inc. stands behind its products when they are used properly and according to our specifications. By purchasing our products, the purchaser agrees and acknowledges that lighting design, configuration and installation is a complex process, wherein seemingly minor factors or changes in layout and infield adjustments can have a significant impact on an entire system. Choosing the correct components is essential. Elemental LED is able to work with the original purchaser to make an appropriate product selection to the extent of the limited information that the customer can provide, but it is virtually impossible for Elemental LED to design a system that foresees every unknown factor. For this reason, this Warranty does not cover problems caused by improper design, configuration or installation issues. Any statement from an Elemental LED employee or agent regarding a customer's bill of goods and/or purchase order is NOT an acknowledgment that the products purchased are designed and configured correctly. The purchaser agrees and acknowledges that it is the customer's responsibility to adhere strictly to all information contained in the Product Specification Sheets.

There is often more than one way to design, configure and layout an LED lighting application properly to achieve the same lighting effect. Elemental LED strongly recommends that licensed professionals be used in the design and installation of lighting systems that include Elemental LED products. The specifications include important information that a designer and installer should carefully review and strictly follow. Qualified designers and certified and/or licensed installers, with access to the final installation environment, customer goals, and Elemental LED product specifications can make the requisite decisions appropriate for a successful finished lighting application.



© 2020 Elemental LED, Inc. All rights reserved.
Specifications are subject to change without notice.

Toll Free: 877.817.6028 | Fax: 415.592.1596 | www.DiodeLED.com | info@DiodeLED.com