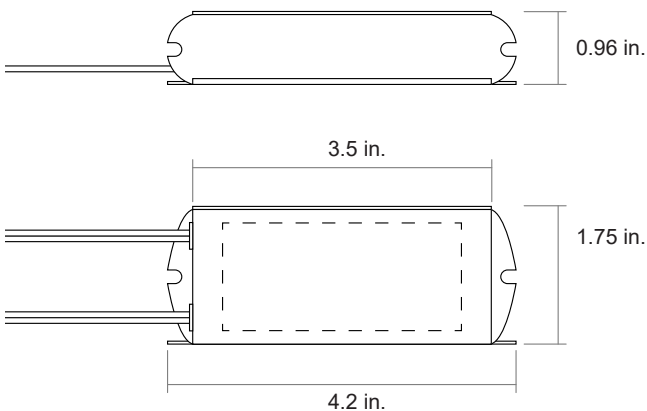


Item # _____
Project _____

	DI-ODBELV-12V60W	DI-ODBELV-24V60W
Max Load	60W	
Input Voltage / Frequency	120V AC 50/60Hz, 0.5A	
Class 2 Listed	Yes	
Output Voltage	12VDC	24VDC
Ambient Temperature¹	-22 ~ 194°F (-30 ~ +90°C)	
Operating Temperature²	-22 ~ 158°F (-30 ~ +70°C)	
Minimum Load	No minimum load	
Dimmable³	Yes	
Connection Type	18AWG Bare Wire Leads	
Circuit Breakers	Auto-reset; short circuit, overload and thermal protection	
Efficiency	>98%	>85%
Environment⁴	Indoor	
Working Humidity	95% RH max	
Dimensions	1.75 x 0.96 x 4.2 in. (W x H x L)	
Certifications	UL recognized/Class 2	
Warranty	5 years	

MEASUREMENTS



NOTES

1. Do not install product in an environment outside the listed ambient temperature.
2. Operating temperature is measured according to the minimum and maximum ambient temperature environment. Operating temperature is measured according to the minimum and maximum ambient temperature environment.
3. See Compatibility Guide.
4. Do not install product in an environment outside the listed ambient temperature. Exceeding the maximum ambient temperature may result in damage.

OMNIDRIVE® BASICS ELECTRONIC DIMMABLE DRIVERS

SPECIFICATION SHEET

DIMMER COMPATIBILITY

DIMMER	OMNIDRIVE BASICS	
Name	Model	60W
Lutron Diva	DVELV-300P	✓
Leviton Decora	DSE06-10Z	✓
Legrand	ADTP703TU	✓
Lutron Maestro	MAELV-600	✓
Lutron Maestro	MACL-153M	✓
Lutron RadioR2	RRD-PRO	✓
Lutron Homeworks	HQRD-6ND	✓
Lutron Diva	DVCL-153P	✓
Leviton Sureslide	6674-P	✓
Lutron Caseta	PD-5NE	✓

ADDITIONAL INFORMATION

- OMNIDRIVE BASICS Installation Guide

SAFETY / WARNINGS / DISCLOSURES

1. Install in accordance with national and local electrical code regulations.
2. This product is intended to be installed and serviced by a qualified, licensed electrician.
3. Only use copper wiring. Use wires rated for at least 176°F (80°C) and certified for use with external connection of electrical equipment.
4. Tape light, attached wire leads, and additional extension cables, connectors, etc., are not rated for in-wall installation unless otherwise noted. Tape light and attached wire leads are field-cuttable.
5. Ensure applicable wire is installed between driver, fixture, and any controls in-between. When choosing wire, factor in voltage drop, amperage rating, and type (in-wall rated, wet location rated, etc.). Inadequate wire installation could overheat wires, and cause fire.
6. Do not install in environment where excessive heat may exist (ex. close proximity to fireplace, etc.) See Ambient Temperature ratings
7. Do not modify product beyond instructions or warranty will be void.
8. Actual color may vary from what is pictured on this sheet and other print materials due to the limitations of photographic processes.
9. We reserve the right to modify and improve the design of our fixtures without prior notice. We cannot guarantee to match existing installed fixtures for subsequent orders or replacements in regards to product appearance, CCT, or lumen output.

WARRANTY

Limited Warranty

This product has a five (5) year limited warranty from the date of shipment. This warranty does not include the additional accessories referenced in this specification sheet. Complete warranty details for fixtures and additional accessories are available at www.diodeled.com/limited-warranty/ within the Policies section. For warranty related questions please contact product support.

Consumer's Acknowledgment

Elemental LED, Inc. stands behind its products when they are used properly and according to our specifications. By purchasing our products, the purchaser agrees and acknowledges that lighting design, configuration and installation is a complex process, wherein seemingly minor factors or changes in layout and infield adjustments can have a significant impact on an entire system. Choosing the correct components is essential. Elemental LED is able to work with the original purchaser to make an appropriate product selection to the extent of the limited information that the customer can provide, but it is virtually impossible for Elemental LED to design a system that foresees every unknown factor. For this reason, this Warranty does not cover problems caused by improper design, configuration or installation issues. Any statement from a Elemental LED employee or agent regarding a customer's bill of goods and/or purchase order is NOT an acknowledgment that the products purchased are designed and configured correctly. The purchase agrees and acknowledges that it is the customer's responsibility to adhere strictly to all information contained in the Product Specification Sheets.

There is often more than one way to design, configure and layout an LED lighting application properly to achieve the same lighting effect. Elemental LED strongly recommends that licensed professionals be used in the design and installation of lighting systems that include Elemental LED products. The specifications include important information that a designer and installer should carefully review and strictly follow. Qualified designers and certified and/or licensed installers, with access to the final installation environment, customer goals, and Elemental LED product specifications can make the requisite decisions appropriate for a successful finished lighting application.



© 2020 Elemental LED, Inc. All rights reserved.
Specifications are subject to change without notice.

Toll Free: 877.817.6028 | Fax: 415.592.1596 | www.DiodeLED.com | info@DiodeLED.com