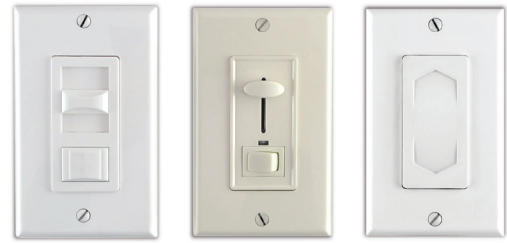


REIGN® 12-24V LED DIMMER SWITCHES

SPECIFICATION SHEET

- Fits decora faceplates
- Indoor / dry location
- Works with constant voltage drivers
- Available in 3 model options
- ETL Listed
- 2-Year limited warranty



SPECIFICATIONS

Input Voltage ¹: 12-24VDC Constant Voltage
Output Voltage: 12-24VDC Constant Voltage
Maximum Load: 100W (8.3A) at 12VDC, 100W (4.16A) at 24VDC
Measured Dimming Range: 100-1%
Dimming Type: PWM
Power Failure Memory: Yes
Connections ²: 18 AWG Wire leads, no framed to ground connection

Ambient Temp ³: -40 ~ 185°F (-40 ~ 85°C)
Operating Temp ⁴: -40 ~ 185°F (-40 ~ 85°C)
Environment: Indoor / dry location
Dimensions: 2.14 x 1.68 x 4.11 in. (L x D x H)
Weight: 2.2 oz.
Certifications: ETL Listed, #4001928. Conforms to UL Standard 508
Included Items (per spool): 1 decora-style faceplate, 4 wire nuts

Item #	Model	Color	Output PWM Frequency
DI-1150-W	Button Slide	Gloss White	270 Hz
DI-1150-LA	Button Slide	Gloss Light Almond	270 Hz
DI-1151-W	Full Slide	Gloss White	270 Hz
DI-1151-LA	Full Slide	Gloss Light Almond	270 Hz
DI-REIGN-TS-W	Touch	Gloss White	500 Hz
DI-REIGN-TS-LA	Touch	Gloss Light Almond	500 Hz

Note ¹ Ensure to specify a compatible driver and fixture with the same voltage specifications.

Note ² Do not attach more than a single REIGN dimmer to each driver output connection or flickering may occur. See 'Compatible LED Drivers' further in this specification sheet for compatibility, and number of driver output connections.

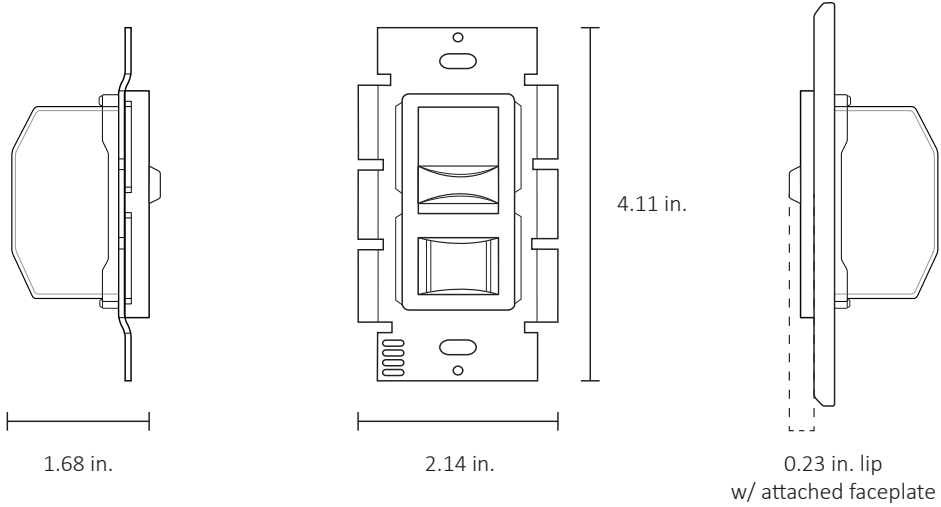
Note ³ Do not install product in an environment outside the listed ambient temperature. Exceeding the maximum ambient temperature may damage or reduce product's lifetime.

Note ⁴ Operating temperature is measured according to the minimum and maximum ambient temperature environment.

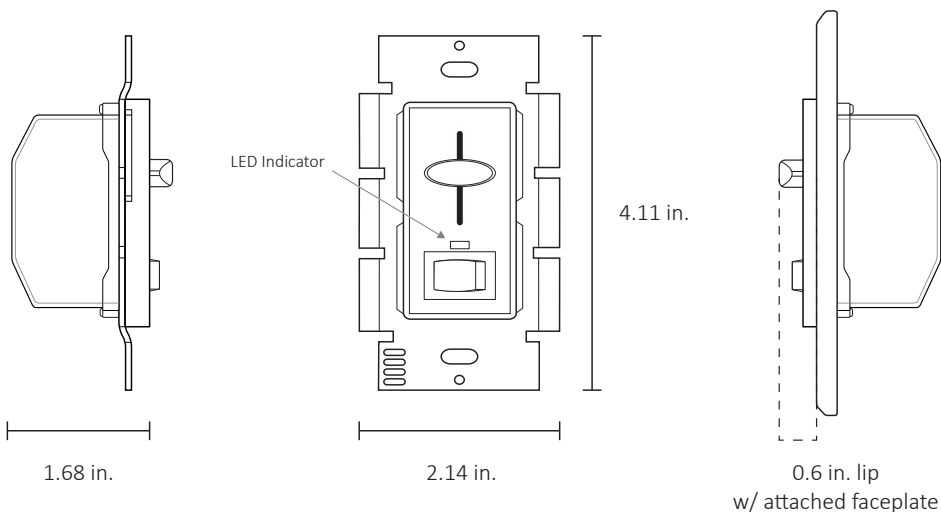
Item #:		Project:	
---------	--	----------	--

MECHANICAL DIAGRAM

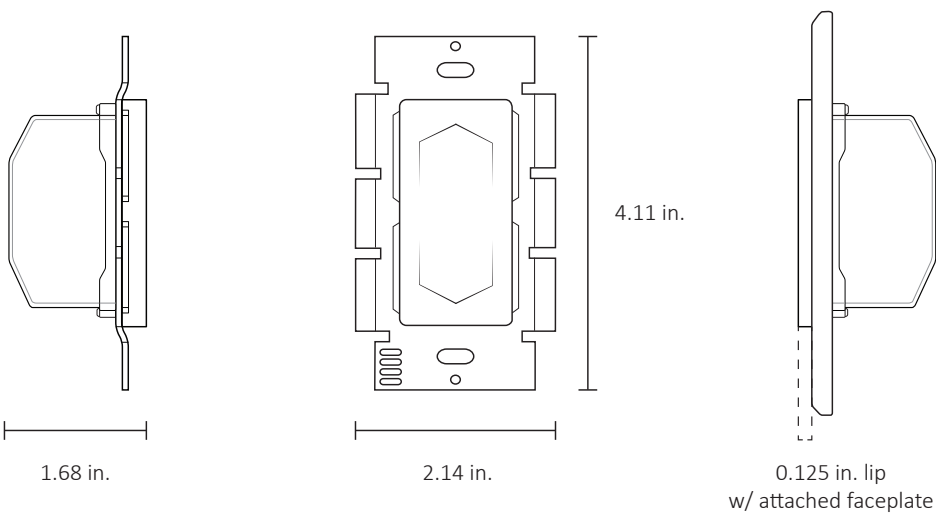
REIGN BUTTON SLIDE



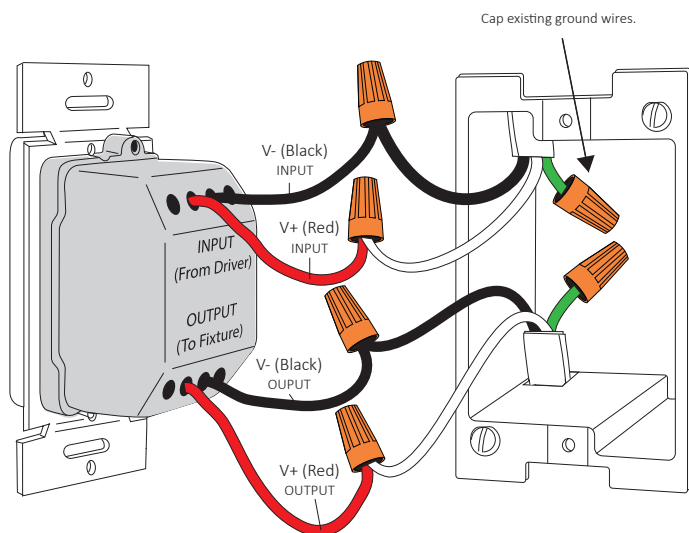
REIGN FULL SLIDE



REIGN TOUCH DIMMER



WIRING CONNECTIONS



COMPATIBLE LED DRIVERS

See the following Constant Voltage Driver Specification Sheets for a list of compatible drivers.

- **12V Constant Voltage Drivers Specification Sheet**
- **24V Constant Voltage Drivers Specification Sheet**

Only install constant voltage drivers compatible with PWM controls.

ADDITIONAL RESOURCES

Visit the online product page at www.DiodeLED.com for additional resources including:

- **REIGN 12-24V BUTTON/FULL SLIDE DIMMER SWITCH Installation Guide**
For system diagrams and full installation instructions.
- **REIGN 12-24V TOUCH DIMMER SWITCH Installation Guide**
For system diagrams and full installation instructions.

SAFETY & DISCLOSURES

- Install in accordance with the National Electric Code, and local regulations.
- This product is intended to be installed and serviced by a qualified, licensed electrician.
- Do not connect directly to high voltage 120V~277V power. Install with a compatible Class 2 constant voltage LED driver (power supply).
- Only install compatible LED drivers and fixtures. Contact technical support or visit the product page for compatible products.
- This product is rated for indoor installation and is not protected against moisture.
- Do not install product in an environment outside the listed ambient temperature. Ensure adequate airflow and heatsinking is considered when mounting/installing.
- Operating temperature is measured according to the minimum and maximum ambient temperature environment. Exceeding the maximum operating temperature may damage the controller or fixture.
- Ensure applicable wire is installed between driver, fixture, and any controls in between. When choosing wire, factor in voltage drop, amperage rating, and type (in-wall rated, wet location rated, etc.). Inadequate wire installation could overload wires, and cause a fire.
- Ensure wire leads at opposing ends of the tape light are not crossed when the fixture is turned on.
- Do not modify or disassemble this product beyond instructions or the warranty will be void.

WARRANTY INFORMATION

Limited Warranty

This LED fixture has a two (2) year limited warranty from the date of shipment. This warranty does not include the additional accessories referenced in this specification sheet. Complete warranty details for fixtures and additional accessories are available at www.DiodeLED.com under the 'Tools & Resources' tab. For warranty related questions, please contact customer service.

Consumer's Acknowledgment

Diode LED stands behind its products when they are used properly and according to our specifications. By purchasing our products, the purchaser agrees and acknowledges that lighting design, configuration and installation is a complex process, wherein seemingly minor factors or changes in layout and in-field adjustments can have a significant impact on an entire system. Choosing the right components is essential. Diode LED is able to work with the original purchaser to make an appropriate product selection to the extent of the limited information that the customer can provide, but it is virtually impossible for Diode LED to design a system that foresees every unknown factor. For this reason, this Warranty does not cover problems caused by improper design, configuration or installation issues. Any statement from a Diode LED employee or agent regarding a customer's bill of goods and/or purchase order is NOT an acknowledgment that the products purchased are designed and configured correctly. The purchaser agrees and acknowledges that it is the customer's responsibility to adhere strictly to all information contained in the Product Specification Sheets.

There is often more than one way to design, configure and layout an LED lighting application properly to achieve the same lighting effect. Diode LED strongly recommends that licensed professionals be used in the design and installation of lighting systems that include Diode LED products. The specifications include important information that a designer and installer should carefully review and strictly follow. Qualified designers and certified and/or licensed installers, with access to the final installation environment, customer goals, and Diode LED product specifications can make the requisite decisions appropriate for a successful finished lighting application.



Toll Free: 877.817.6028 | Fax: 415.592.1596 | www.DiodeLED.com | info@DiodeLED.com
© 2015 Elemental LED, Inc. All rights reserved. Specifications are subject to change without notice.