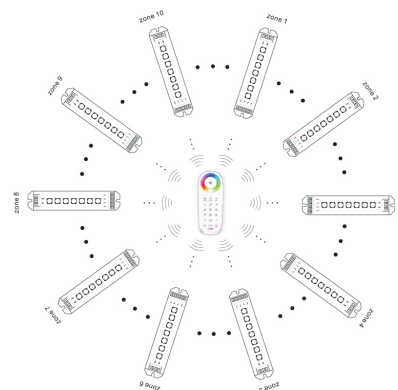


# DI-1701 (Remote)  
# DI-1700 (Receiver)



Specified Item #	
Project	
Location	



Remote and Receiver sold separately. Up to 10 receivers may be paired to a single remote. Multiple remotes cannot be paired to a single receiver. Pairing instructions are available in the 'RGB Zone Color Control System Installation Guide.'



## SPECIFICATIONS

### RGB Zone Remote Specifications

Input Voltage	5VDC Built-in Lithium Battery
Working Current	<30mA
Wireless Signal	Radio Frequency (RF)
Working Frequency	2.4GHz
Transmitting Distance	90 ft.
Remote Option	Sync or zone control (10 zones)
Battery Capacity	1000mAh
Standby Time	≤6 months
Mounting	Includes wall-mount holster.
Ambient Temperature <sup>3</sup>	-4° ~ 122°F (-20° ~ 50°C)
Operating Temperature <sup>4</sup>	-4° ~ 131°F (-20° ~ 55°C)
Dimensions	5.7 x 2.2 x 0.8 in. (L x W x H)
Weight	7 oz

### RGB Zone Receiver Specifications

Input Voltage <sup>1</sup>	5-24VDC constant voltage
Max Current Load	5A x 3CH Max 15A
Max Output Power	180W/360W(12V/24V)
Connection Type	Terminal Block. Both input and output connections fit up to 12 AWG wire.
Control Type	PWM (Pulse Width Modulation)
Power Failure Memory	Yes
Ambient Temperature <sup>2</sup>	-22° ~ 122°F (-30° ~ 50°C)
Operating Temperature <sup>3</sup>	-22° ~ 131°F (-30° ~ 55°C)
Environment	Indoor / dry location
Dimensions	8.3 x 1.5 x 1.2 in. (L x W x H)
Weight	6.4 oz.
Certifications	FCC, CE, RoHS Compliant
Warranty	5 Years

**Note <sup>1</sup>** Multiple receivers may be connected to a compatible LED driver with a single output. Ensure to specify a compatible driver and fixture with the same voltage specifications.

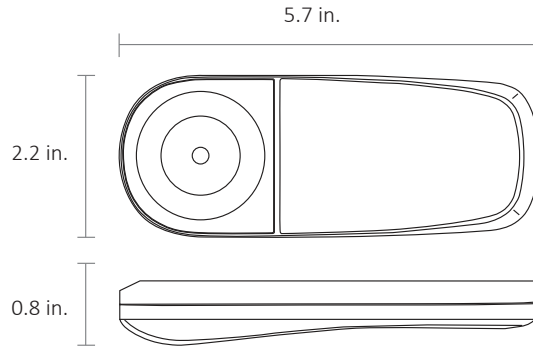
**Note <sup>2</sup>** Do not install product in an environment outside the listed ambient temperature. Exceeding the maximum ambient temperature may damage the controller and/or fixture.

**Note <sup>3</sup>** Operating temperature is measured according to the minimum and maximum ambient temperature environment.

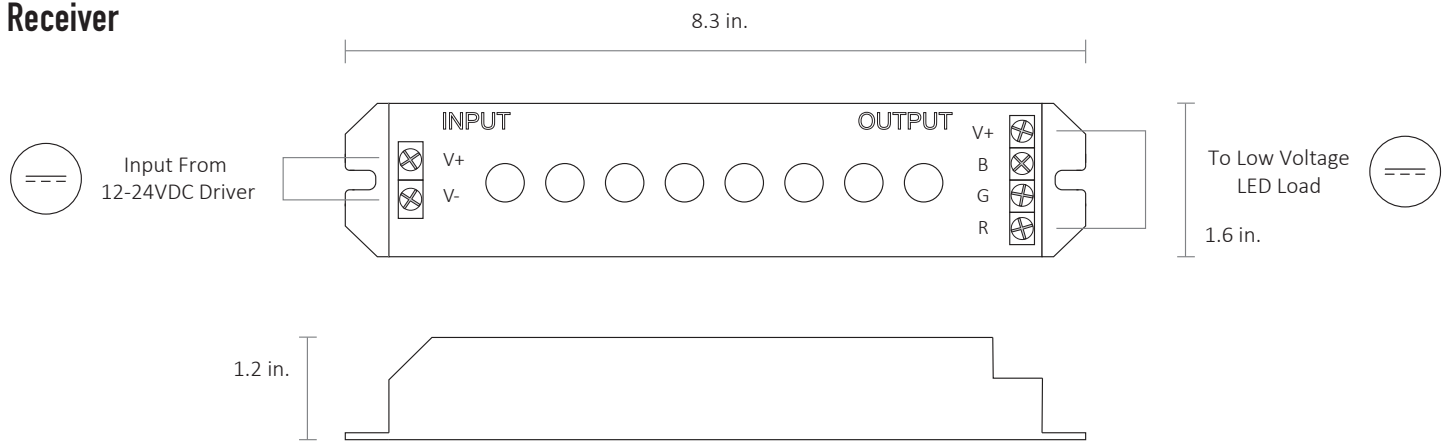
SS121014-1.3

**MECHANICAL DIAGRAM**

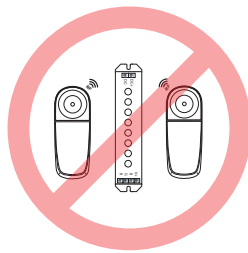
**Remote**



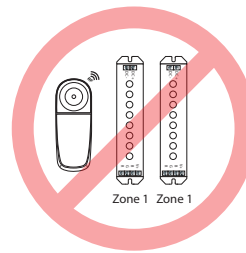
**Receiver**



See the 'RGB Zone Color Control System Installation Guide' for system diagrams and operating instructions.



**DO NOT PAIR MULTIPLE REMOTES TO A SINGLE RECEIVER.**



**DO NOT SET MULTIPLE RECEIVERS TO THE SAME ZONE.**

## SAFETY / WARNINGS / DISCLOSURES

- Install in accordance with the National Electric Code, and local regulations.
- This product is intended to be installed and serviced by a qualified, licensed electrician.
- Do not connect directly to high voltage 120V~277V power. Install with a compatible Class 2 constant voltage LED driver (power supply).
- Only install compatible LED drivers and fixtures. Contact technical support or visit the product page for compatible products.
- This product is rated for indoor installation and is not protected against moisture.
- Do not install product in an environment outside the listed ambient temperature. Ensure adequate airflow and heatsinking is considered when mounting/installing.
- Operating temperature is measured according to the minimum and maximum ambient temperature environment. Exceeding the maximum operating temperature may damage the controller or fixture.
- Proper heat dissipation will prolong the working lifespan of this product. Install in a well-ventilated area free from explosive gases and vapors.
- Ensure applicable wire is installed between driver, fixture, and any controls in between. When choosing wire, factor in voltage drop, amperage rating, and type (in-wall rated, wet location rated, etc.). Inadequate wire installation could overload wires, and cause a fire.
- Ensure wire leads at opposing ends of the tape light are not crossed when the fixture is turned on. It is acceptable to modify the length or cut off the attached wire leads and DC connections in the field.
- Do not modify or disassemble this product beyond instructions or the warranty will be void.

## WARRANTY

### Limited Warranty

This LED fixture has a five (5) year limited warranty from the date of shipment. This warranty does not include the additional accessories referenced in this specification sheet. Complete warranty details for fixtures and additional accessories are available at [www.DiodeLED.com](http://www.DiodeLED.com) under the 'Tools & Resources' tab. For warranty related questions, please contact customer service.

### Consumer's Acknowledgment

Diode LED stands behind its products when they are used properly and according to our specifications. By purchasing our products, the purchaser agrees and acknowledges that lighting design, configuration and installation is a complex process, wherein seemingly minor factors or changes in layout and infield adjustments can have a significant impact on an entire system. Choosing the right components is essential. Diode LED is able to work with the original purchaser to make an appropriate product selection to the extent of the limited information that the customer can provide, but it is virtually impossible for Diode LED to design a system that foresees every unknown factor. For this reason, this Warranty does not cover problems caused by improper design, configuration or installation issues. Any statement from a Diode LED employee or agent regarding a customer's bill of goods and/or purchase order is NOT an acknowledgement that the products purchased are designed and configured correctly. The purchaser agrees and acknowledges that it is the customer's responsibility to adhere strictly to all information contained in the Product Specification Sheets.

There is often more than one way to design, configure and layout an LED lighting application properly to achieve the same lighting effect. Diode LED strongly recommends that licensed professionals be used in the design and installation of lighting systems that include Diode LED products. The specifications include important information that a designer and installer should carefully review and strictly follow. Qualified designers and certified and/or licensed installers, with access to the final installation environment, customer goals, and Diode LED product specifications can make the requisite decisions appropriate for a successful finished lighting application.