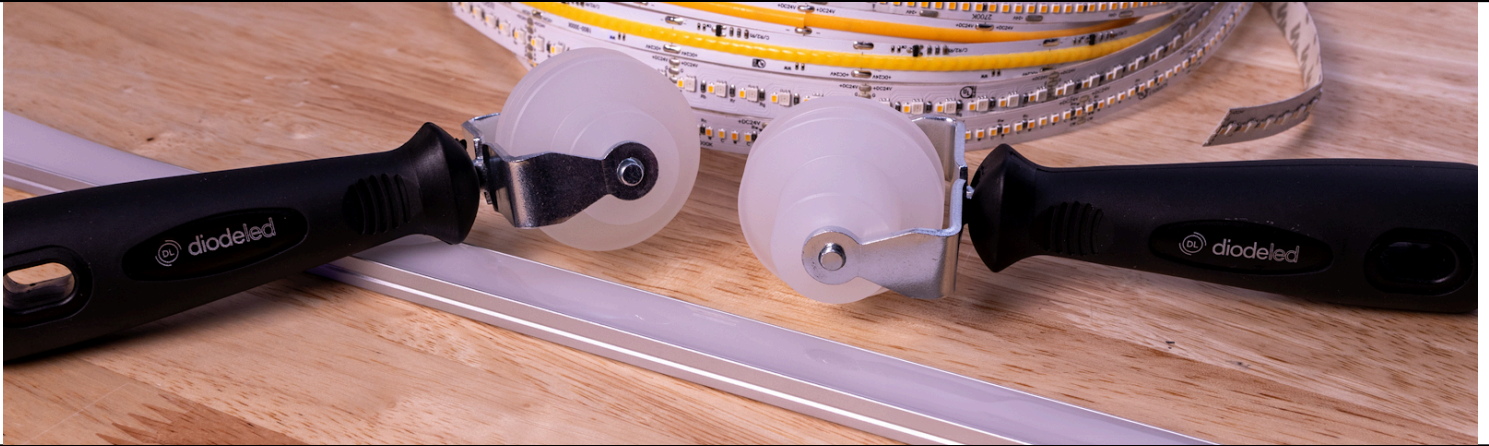


TAPE LIGHT ROLLER

An easy-to-use tool to assist with the quick installation of LED tape lights on aluminum profiles.

Date _____

Project Notes _____

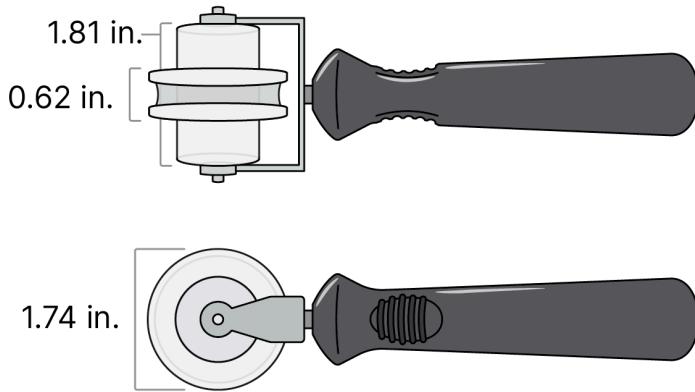


ORDERING CODES & SPECIFICATIONS

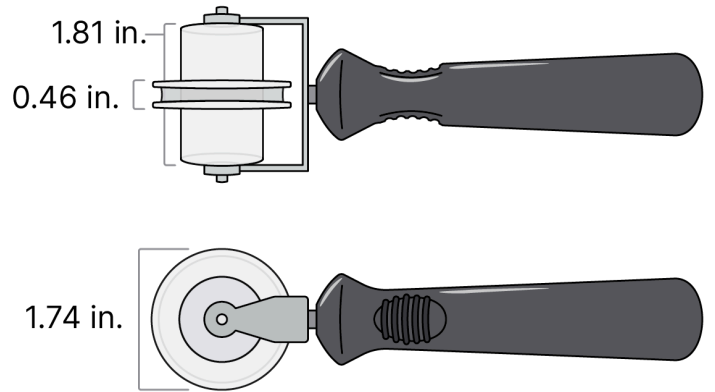
	DI-TAPE-ROLLER-LG	DI-TAPE-ROLLER-SM
Warranty	1 Year Limited Warranty	1 Year Limited Warranty
Dimensions	1.74 x 1.81 x 1.74 in. (L x W x H)	1.74 x 1.81 x 1.74 in. (L x W x H)

MECHANICAL DIAGRAMS

DI-TAPE-ROLLER-LG



DI-TAPE-ROLLER-SM



RECOMMENDED CHANNELS

SLIM
SQUARE
45°
S45

RECOMMENDED CHANNELS

A2
A3
90° SIDEVIEW
SHORT RECESSED
ROD
S1

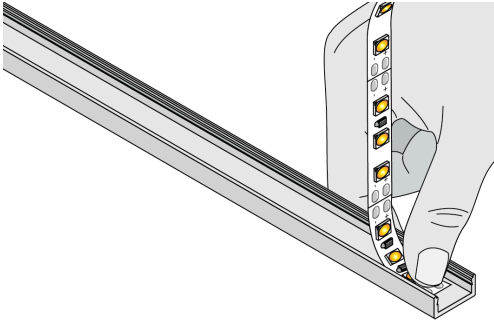
TAPE LIGHT ROLLER

An easy-to-use tool to assist with the quick installation of LED tape lights on aluminum profiles.

INSTALLATION

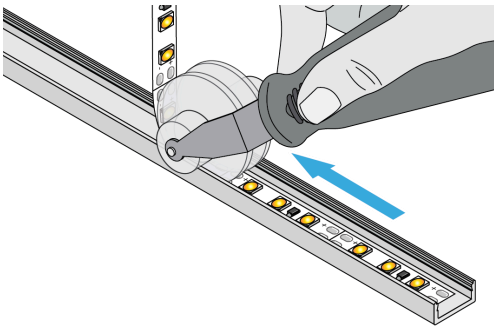
1. Adhere Tape Light on One End of Channel

Secure small section of tape light in middle body of channel on one end, ensuring good adhesion. Confirm tape light is centered and straight.



2. Use Roller to Adhere Full Length of Tape Light

While keeping the unapplied section of the tape taut, use the roller to adhere the remaining length in the body of the channel.



Date _____

Project Notes _____

WARRANTY

Warranty

- 1 Year Limited Warranty

This warranty does not include the additional accessories referenced in this specification sheet. Complete warranty details for fixtures and additional accessories are available at www.diodeled.com/limited-warranty/ within the Policies section. For warranty related questions please contact product support.

Consumer's Acknowledgment

Elemental LED, Inc. stands behind its products when they are used properly and according to our specifications. By purchasing our products, the purchaser agrees and acknowledges that lighting design, configuration and installation is a complex process, wherein seemingly minor factors or changes in layout and infield adjustments can have a significant impact on an entire system. Choosing the correct components is essential. Elemental LED is able to work with the original purchaser to make an appropriate product selection to the extent of the limited information that the customer can provide, but it is virtually impossible for Elemental LED to design a system that foresees every unknown factor. For this reason, this Warranty does not cover problems caused by improper design, configuration or installation issues. Any statement from a Elemental LED employee or agent regarding a customer's bill of goods and/or purchase order is NOT an acknowledgment that the products purchased are designed and configured correctly. The purchase agrees and acknowledges that it is the customer's responsibility to adhere strictly to all information contained in the Product Specification Sheets.

There is often more than one way to design, configure and layout an LED lighting application properly to achieve the same lighting effect. Elemental LED strongly recommends that licensed professionals be used in the design and installation of lighting systems that include Elemental LED products. The specifications include important information that a designer and installer should carefully review and strictly follow. Qualified designers and certified and/or licensed installers, with access to the final installation environment, customer goals, and Elemental LED product specifications can make the requisite decisions appropriate for a successful finished lighting application.