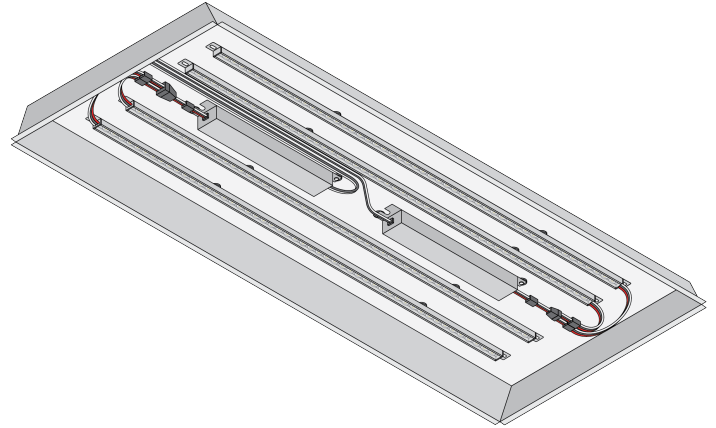


SAFETY & WARNINGS

1. Install in accordance with national and local electrical code regulations.
2. This product is intended to be installed and serviced by a qualified, licensed electrician.
3. Only use copper wiring. Use wires rated for at least 176°F (80°C) and certified for use with external connection of electrical equipment.
4. Ensure applicable wire is installed between driver, fixture, and any controls in-between. When choosing wire, factor in voltage drop, amperage rating, and type (in-wall rated, wet location rated, etc.). Inadequate wire installation could overheat wires, and cause fire.
5. Do not install in environment where LED chips are exposed to direct sunlight as damage to the phosphor will occur.
6. Do not install in environment where excessive heat may exist (ex. close proximity to fireplace, etc.) See Ambient Temperature ratings
7. Do not modify product beyond instructions or warranty will be void.
8. Actual color may vary from what is pictured on this sheet and other print materials due to the limitations of photographic processes.
9. We reserve the right to modify and improve the design of our fixtures without prior notice. We cannot guarantee to match existing installed fixtures for subsequent orders or replacements in regards to product appearance, CCT, or lumen output.

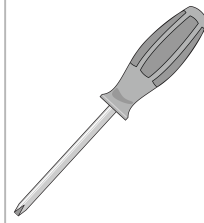


Contents

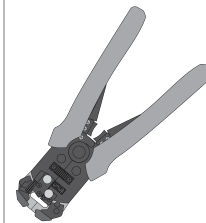
Step 1. Turn Power Off at Circuit Breaker	pg. 2
Step 2. Open Fluorescent Fixture Cover	pg. 2
Step 3. Remove Fluorescent Tubes	pg. 2
Step 4. Remove Fluorescent Ballast, and Lampholders	pg. 2
Step 5. Place LED Fixtures	pg. 2
Step 6. Connect Wiring	pg. 2
Step 7. Adjust Brightness and CCT	pg. 3
Step 8. Close Housing	pg. 3
Step 9. Turn Power On at Circuit Breaker	pg. 3

Tools For Install

Phillips-head
screwdriver

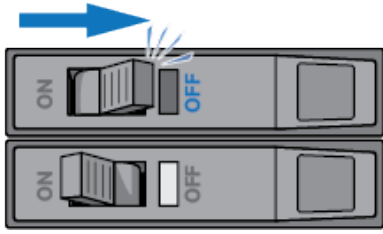


Wire Strippers

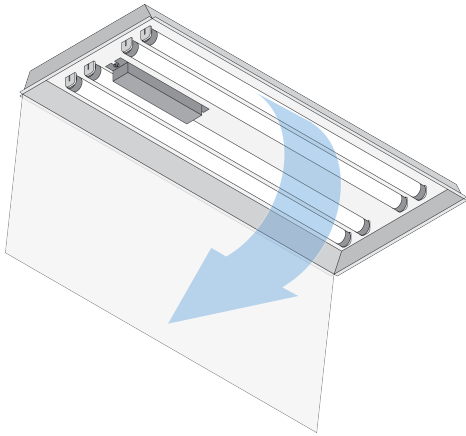


1. Turn Power Off at Circuit Breaker

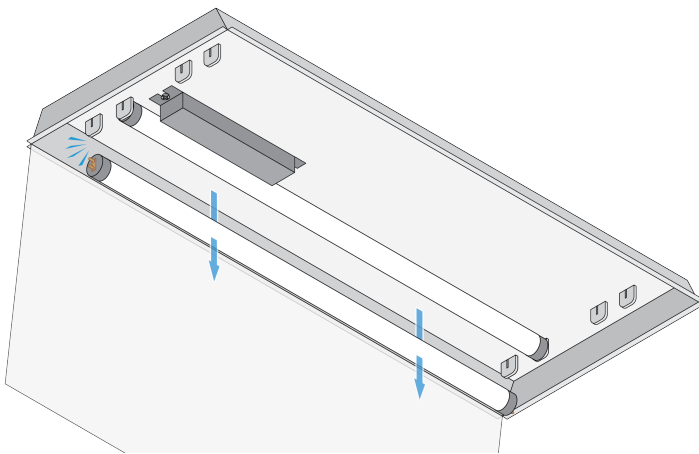
Never install product while attached to a live circuit.



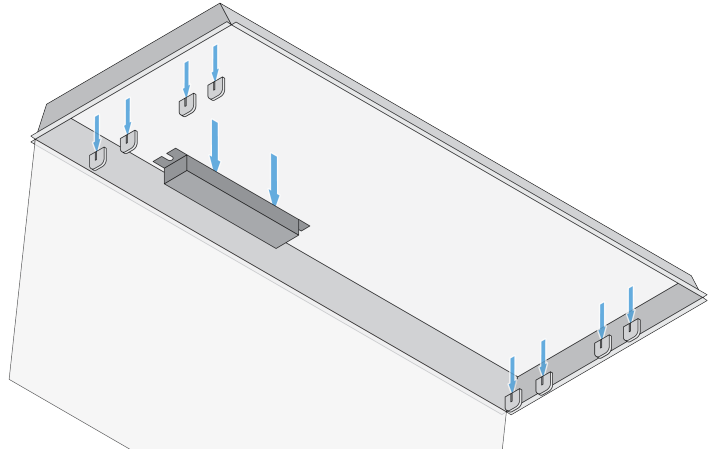
2. Open Fluorescent Fixture Cover



3. Remove Fluorescent Tubes

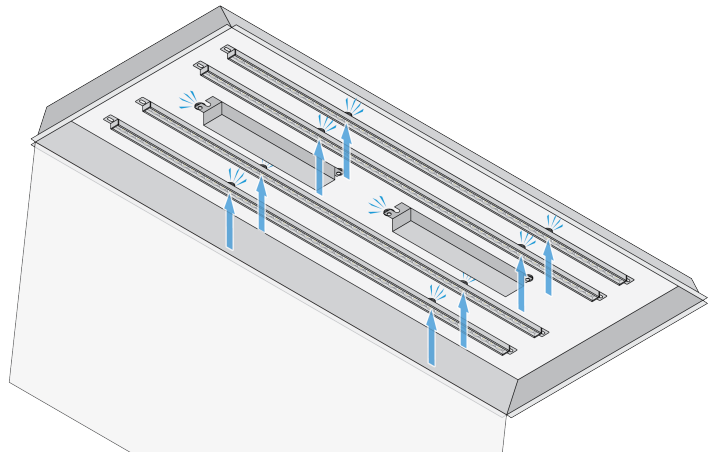


4. Remove Fluorescent Ballast, and Lampholders



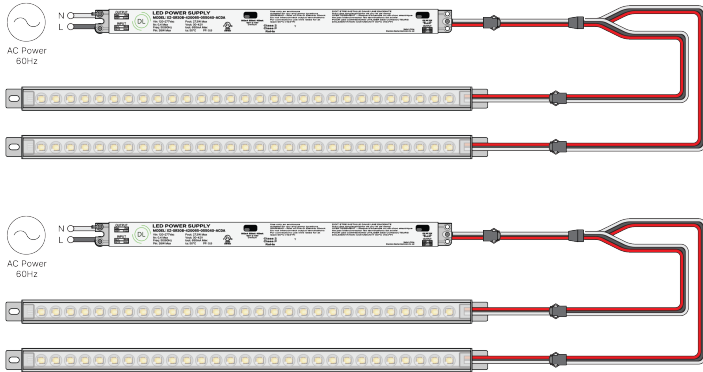
5. Place LED Fixtures

Using magnets on back, place LED Fixtures and Drivers within empty fluorescent housing.

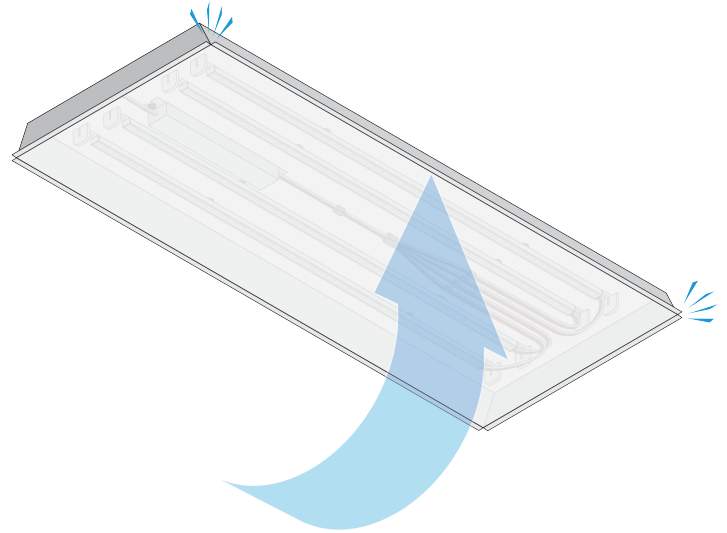


6. Connect Wiring

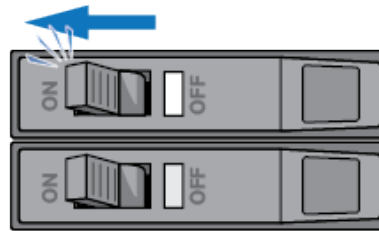
Connect LED Driver Input to line voltage, then connect LED Driver to LED Fixtures using connectors.



8. Close Housing



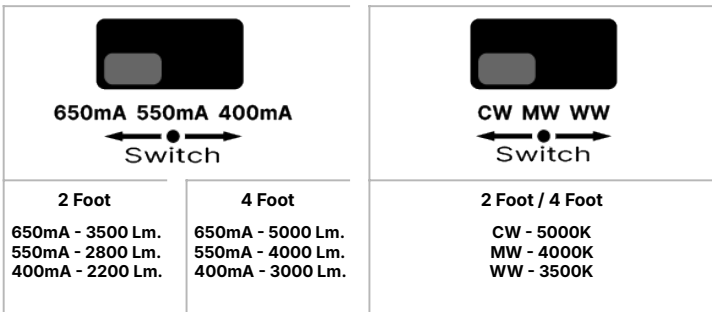
9. Turn Power On at Circuit Breaker



7. Adjust Brightness and CCT



Using switches on LED Driver, adjust brightness and CCT according to diagram below.



10. Emergency Backup Battery Diagram (Optional)

