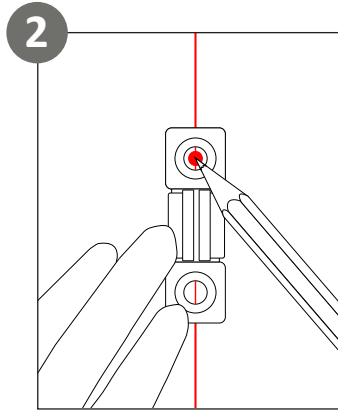
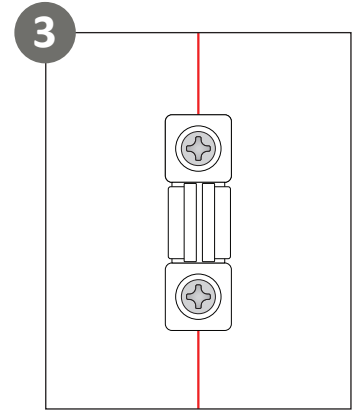


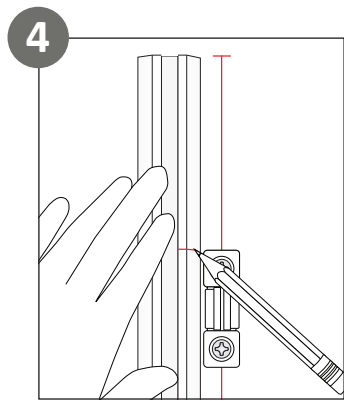
1 Use a ruler and pencil to draw a guiding edge. Mark where the beginning edge of the channel will be installed.



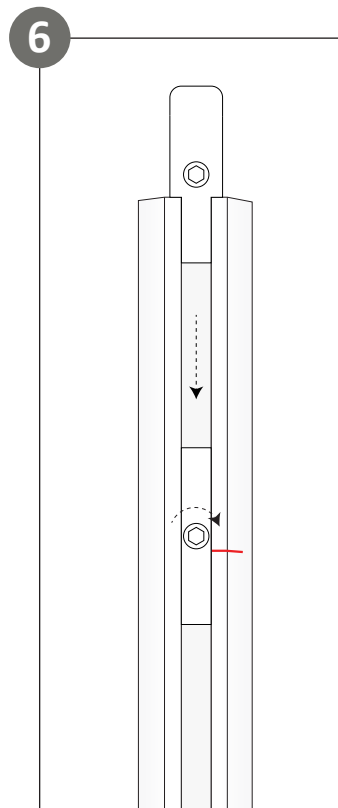
2 Mark holes where the mounting clip will be fastened. Fasten two clips per channel, each 1/4 distance the full length of the channel from each end. E.g. if the channel is 40 in. long, mount each clip 10 in. from each end.



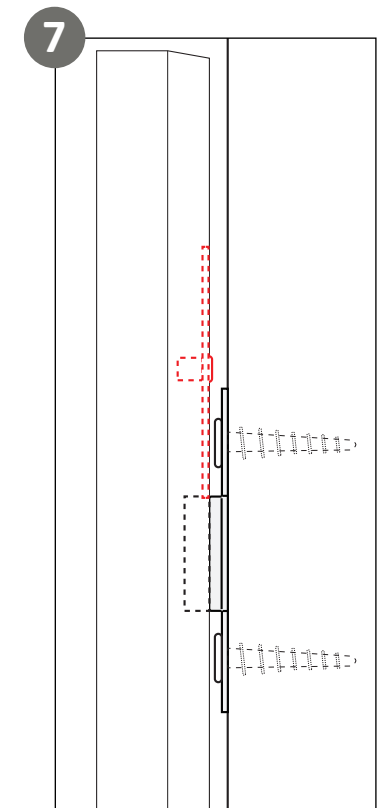
3 Fasten the mounting clips with an electric drill and mounting screws. Use applicable screw anchors if required for installation.



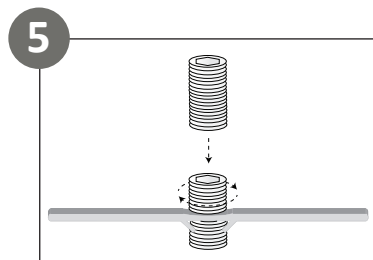
4 Hold the channel up to the guide and mounting clip. Mark the channel where the top edge of the mounting clip will be located.



6 Slide the vertical bracket into the channel and tighten with the allen wrench. Ensure the bottom edge of the allen hardware meets the mark previously noted on the channel.



7 Fasten the channel to the mounting clip on the vertical surface with the vertical bracket resting above the mounting clip.



5 Screw the allen hardware into the vertical bracket (prongs of stopper facing down) with a #2 allen wrench.