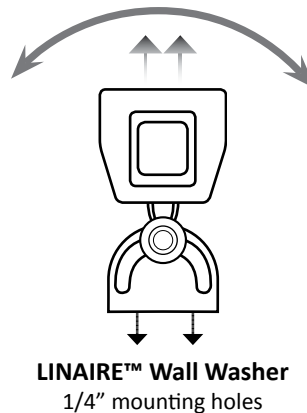


Before you begin, read all warnings and installation instructions thoroughly.

### Safety & Warnings

- Turn power OFF at main breaker before servicing or installing this product.
- This product is intended to be installed and serviced by a qualified, licensed electrician.
- Install in accordance with the National Electric Code, and local regulations.
- Install in a well-ventilated, combustion-free environment.
- Do not disassemble or modify this product beyond these instructions. Doing so will void your warranty.
- This fixture is not compatible with any traditional dimming controls. Wall washers can only be controlled/dimmed with the on-board interface or with an external DMX controller. Please contact customer service for additional information.
- Ensure all adjusting screws on mounting brackets and fixtures are properly secured prior to installation.
- THIS FIXTURE IS INTENDED FOR FLOOR MOUNTING ONLY. DO NOT MOUNT TO WALLS OR CEILINGS.
- This fixture is rated for indoor installation only and is IP 20 rated.
- It is recommended to power this fixture by a GFCI protected circuit.
- This fixture is only UL Listed for connection with a 120VAC, 15- or 20-ampere branch circuit.
- This fixture is not to be used in or around chlorinated, treated or salt water due to the corrosive and degrading qualities of chlorine, saline, and other chemicals on the fixture components. Keep at least 16 feet away from pools and spas.
- This fixture is rated for use in an environment where the ambient operating temperature is -4° ~ 104° F (-20° ~ 40° C).

### Mounting



*Note: this fixture is intended for floor mounting only. Do not mount to walls or ceilings. Ensure fixture is properly mounted and all adjusting screws are properly secured prior to permanent installation. All fixtures must be individually powered by 120VAC.*

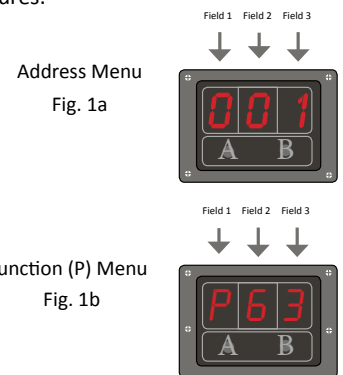
### Operation Overview

Wall Washers can be operated in two ways:

- 1) Independently (One or more fixtures):** Primary fixture operating independently or commanding additional fixtures.
- 2) With a DMX Controller:** One or more wall washers commanded by a DMX controller.

Each wall washer has its own on-board control pad and 3-digit display, operated by two menu button controls – ‘A’ and ‘B’. Button ‘A’ cycles through the 3-digit display and switches the display from the Address Menu (Fig. 1a) to the Function (P) Menu (Fig. 1b). Pressing Button ‘B’ continually changes the desired value of each field.

At startup, the wall washer will always be set in the Address Menu. To switch to the Function (P) Menu (Fig. 1b), press Button ‘A’ once and Field 3 will begin to flash. Press Button ‘A’ three times to be directed to the Function (P) Menu. Once in the Function (P) Menu, press Button ‘A’ two times to switch back to the Address Menu.



**Independent Setup:** (Primary fixture operating independently or commanding additional fixtures)

1. Link each wall washer together with the attached male and female XLR-3 cables (maximum run: 10 fixtures). Power up each wall washer by inserting the AC cord into a 120VAC electrical receptacle (Fig. 2a).
2. Once powered, the on-board control pad of each wall washer will automatically set to the Address Menu. Choose the preferred fixture to operate as the master controller (this can be any fixture in the series) and set the code in the Address Menu of the master fixture to the default address '001'. Do so by setting Fields 1 & 2 to '0' and Field 3 to '1'.
3. In the master wall washer Function (P) Menu (Fig. 2a), set the desired command for all master & slave fixtures to perform in Fields 2 & 3. Once selected, wait 10 seconds for the selected field to stop flashing and the selected command will be set
4. To sync the slave washers to the master washer, set the code in the Address Menu of each slave fixture to any number other than '001' (Fig. 2b). It is recommended to set each slave with an individual code (e.g. '002', '003', '004' etc.). The Function (P) Menu is not required to operate slave wall washers.

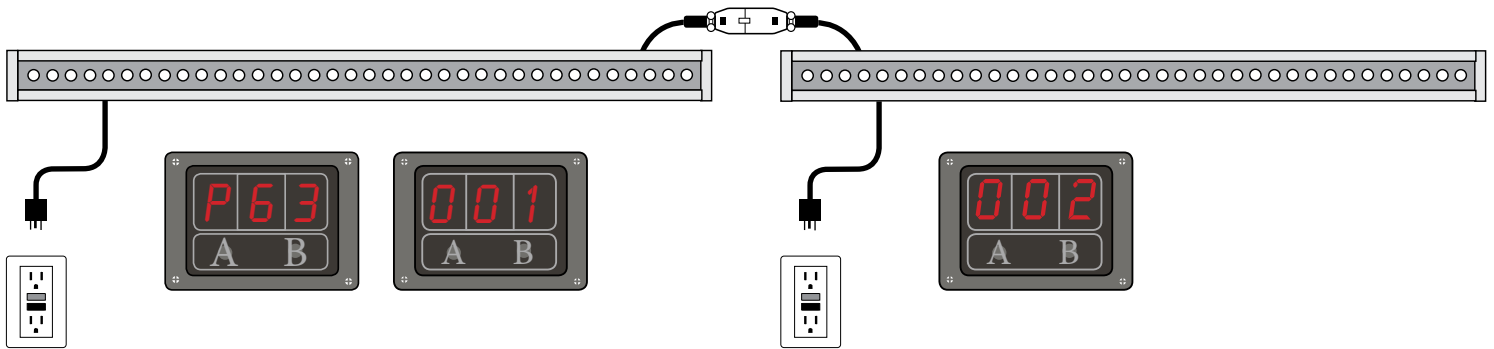


Fig. 2a

Fig. 2b

**DMX Controller Setup:** (One or more wall washers commanded by a DMX controller)

Please note that all DMX control systems operate differently and may require additional technical knowledge of the DMX controller and equipment to operate the wall washers effectively. It is recommended that only experienced technicians install DMX control systems.

1. Attach the first wall washer to the DMX controller using one of the attached XLR-3 cables (Fig. 3) (not all controllers have XLR-3 connections).
2. Link each additional wall washer together with the attached male and female XLR-3 cables (maximum run: 10 fixtures).
3. Power each fixture by inserting the AC cord into a 120VAC electrical receptacle.
4. Once powered, the on-board control pad of each wall washer will automatically set to the Address Menu. To effectively command the fixtures with the DMX control, match the value of each addressing field with the 3-channel address code commanded from the DMX controller.

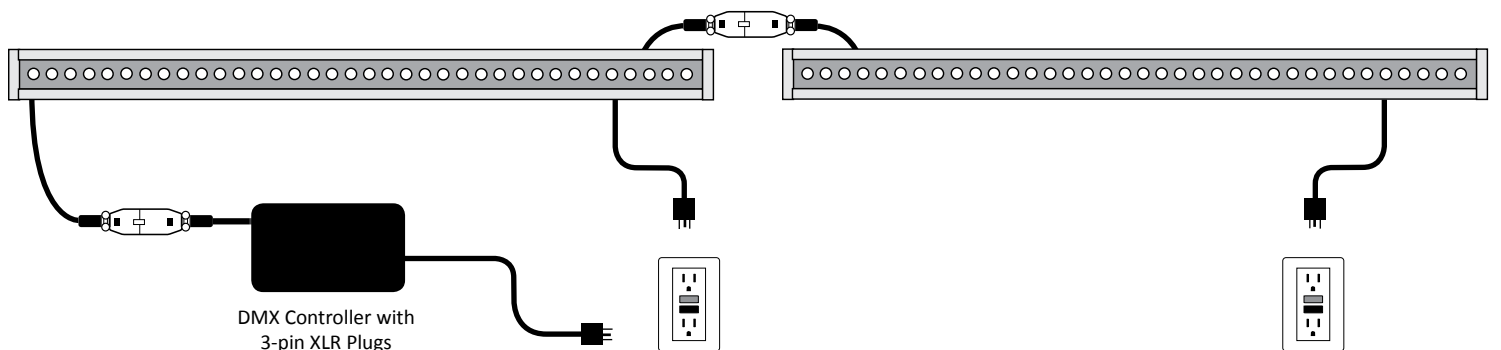


Fig. 3

**Command Setting Charts**

**RGB Wall Washer  
Command Setting Chart**

Number Field 1	Number Field 2	Number Field 3
P	1- Static Red	1-9 Brightness Control
P	2- Static Green	1-9 Brightness Control
P	3- Static Yellow	1-9 Brightness Control
P	4- Static Blue	1-9 Brightness Control
P	5- Static Purple	1-9 Brightness Control
P	6- Static Cyan	1-9 Brightness Control
P	7- Static White	1-9 Brightness Control
P	8- All Color Jump - Warm to Cool	1-9 Speed Control
P	9- All Color Fade - Warm to Cool	1-9 Speed Control
P	A- Random Color Fade	1-9 Speed Control
P	B- Random Color Flashing	1-9 Speed Control
P	C- Cycle All Modes	1-9 Speed Control

**White Wall Washer  
Command Setting Chart**

Number Field 1	Number Field 2	Number Field 3
P	1- Sustain Light Option 1	1-9 Brightness Control
P	2- Sustain Light Option 2	1-9 Brightness Control
P	3- Sustain Light Option 3	1-9 Brightness Control
P	4- Sustain Light Option 4	1-9 Brightness Control
P	5- Sustain Light Option 5	1-9 Brightness Control
P	6- Sustain Light Option 6	1-9 Brightness Control
P	7- Sustain Light Option 7	1-9 Brightness Control
P	8- Random Light Jump	1-9 Speed Control
P	9- Pulse Fade 1	1-9 Speed Control
P	A- Pulse Fade 2	1-9 Speed Control
P	B- Random Strobe	1-9 Speed Control
P	C- Cycle All Modes	1-9 Speed Control

For additional technical information, please refer to the product specification sheet or contact customer service.